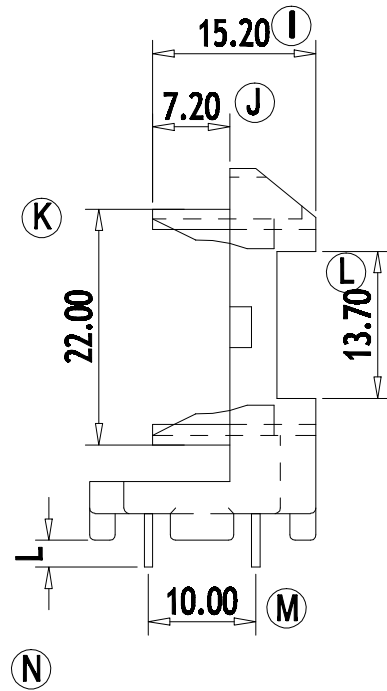
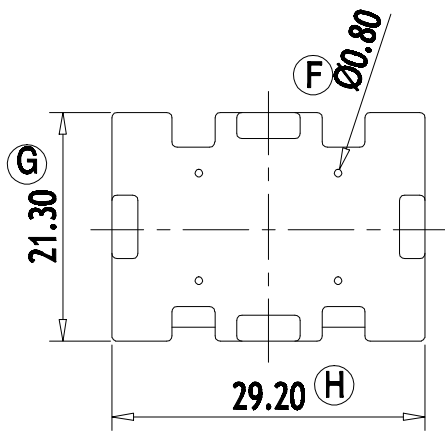
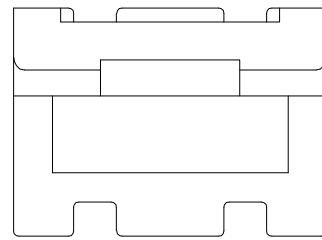
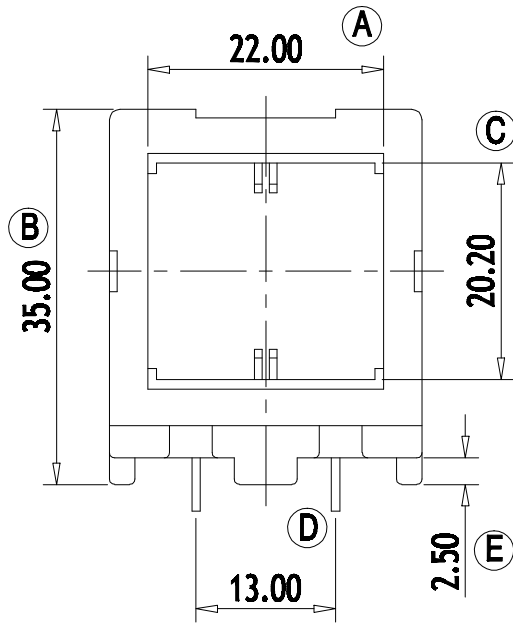
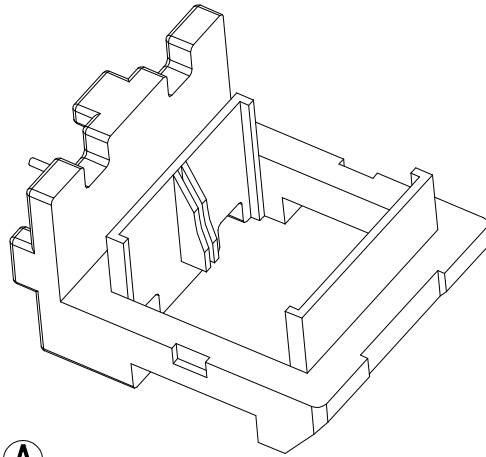


ZX-28I



REV.	REVISIONS REC.		DATE	REV.	REVISIONS REC.		DATE		
1				4					
2				5					
3				6					
DRAWN & DRAFTED BY		LIU WEI QIANG		TOLERANCES		ANGLE: ±1°		TITLE: ET-28(2+2P)	
CHECKED & APPROVED BY		LI JUN		0<L≤4 ±0.1 4<L≤16 ±0.2 16<L≤63 ±0.3		pin pitch ±0.2		UNIT: MM	
				SCALE:		PIN MATERIAL: CP WIRE		BOBBIN MATERIAL: PHENOLIC	
				DATE: 2004.03.28		DRAWING NO. ZX-28I		UL REC. UL 94V-0	
								PIN TENSION LOAD: 1.5KG MIN	
智信电子塑胶有限公司 ZHI XIN ELECTRONICS PLASTIC CO., LTD. TEL:0769-86389901-2 FAX:0769-86389903				DATE: 2004.03.28		DRAWING NO. ZX-28I		REV. A01	