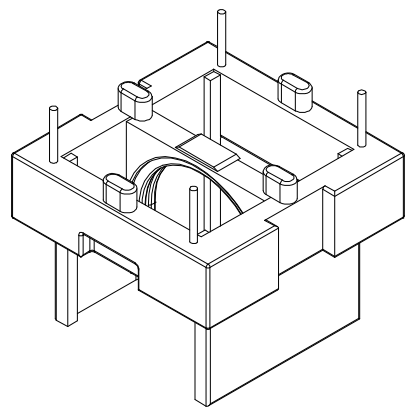
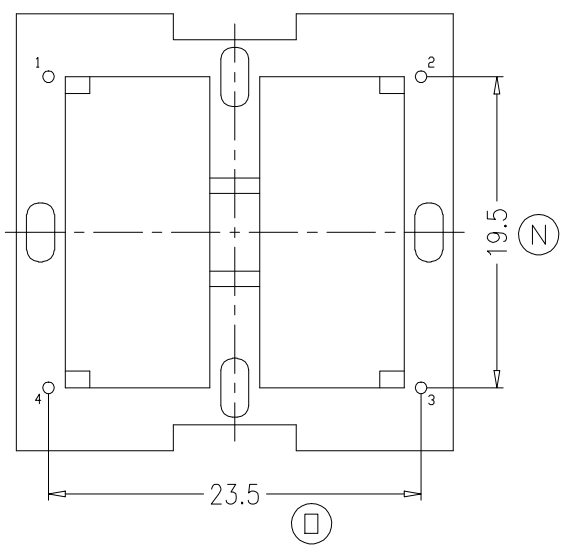
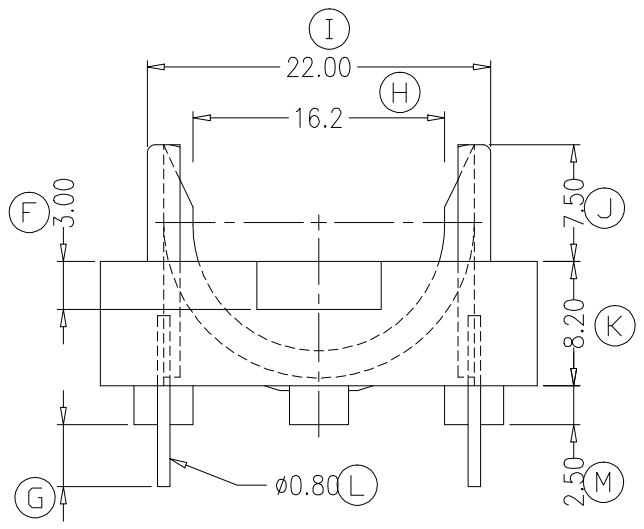
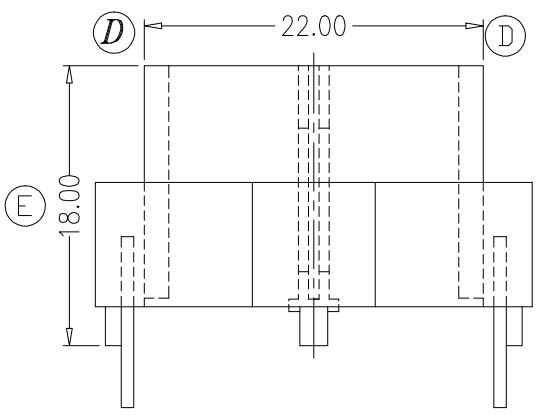
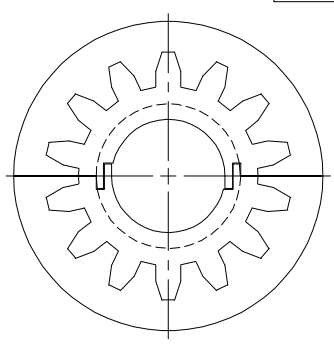
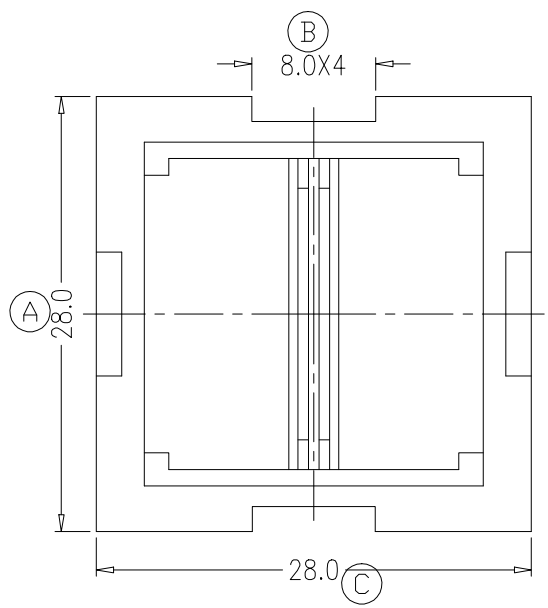


# ZX-28D2



REV.	REVISIONS	REC.	DATE	REV.	REVISIONS	REC.	DATE
1				4			
2				5			
3				6			
DRAWN & DRAFTED	LIU WEI QIANG	TOLERANCES		ANGLE: $\pm 1^\circ$	TITLE: ET-28 (2+2P)		
CHECKED & APPROVED BY	MA BU JIAN	0<L<4 $\pm 0.1$	pin pitch	UNIT: MM	BOBBIN MATERIAL: PHENOLIC	UL REC. UL 94V-0	
				SCALE:	PIN MATERIAL: CP WIRE	PIN TENSION LOAD: 1.2KG MIN	
<b>智信电子塑胶有限公司</b> ZHI XIN ELECTRONICS PLASTIC CO., LTD. TEL: 0769-86389901-2 FAX: 0769-86389903				DATE: 2011.07.02		DRAWING NO. ZX-28D2 REV. A01	