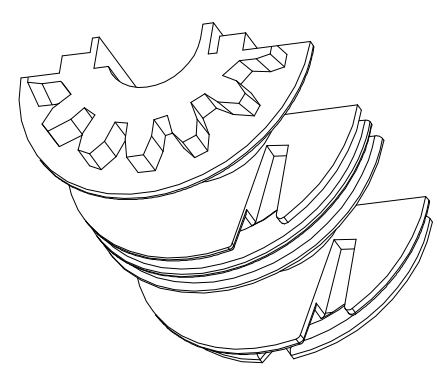
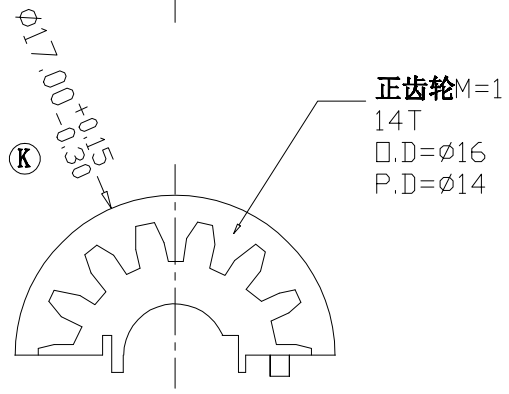
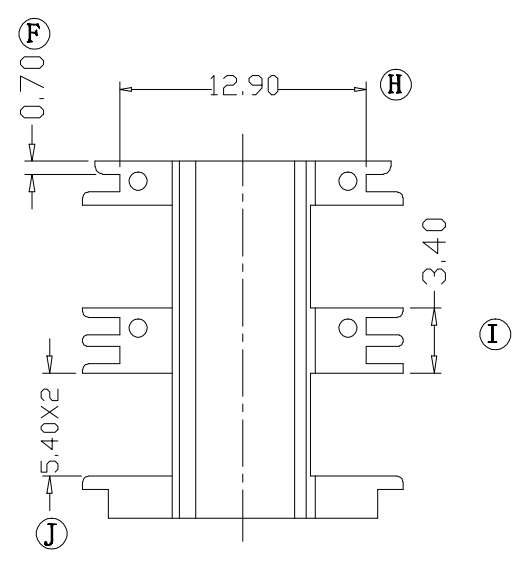
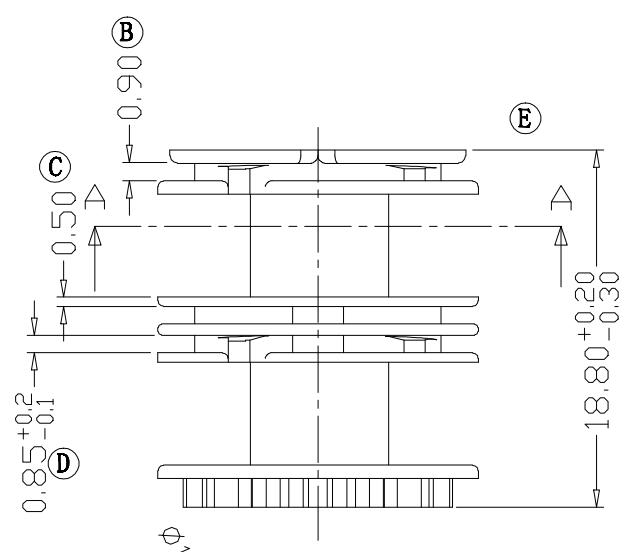
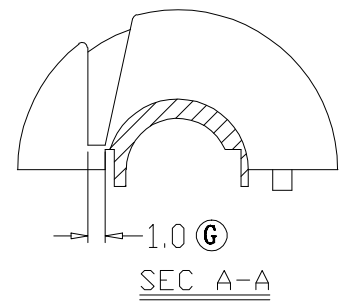
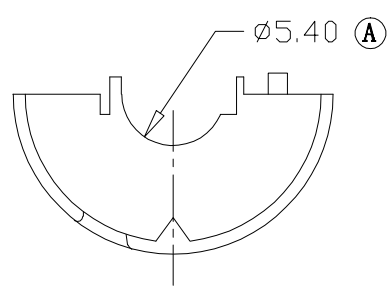


ZX-24C1



REV.	REVISIONS	REC.	DATE	REV.	REVISIONS	REC.	DATE
1				4			
2				5			
3				6			
DRAWN & DRAFTED BY		LIU WEI QIANG		TOLERANCES		ANGLE: ±1°	
CHECKED & APPROVED BY		MA BU JIAN		pin pitch ±0.2		TITLE: ET-24(2S)	
		0<L≤4 ±0.1		UNIT: MM		BOBBIN MATERIAL: PBT	
		4<L≤16 ±0.2		SCALE:		UL REC. UL 94V-0	
		16<L≤63 ±0.3		DATE: 2011.08.03		PIN TENSION LOAD:	
智信电子塑胶有限公司 ZHI XIN ELECTRONICS PLASTIC CO., LTD. TEL:0769-86389901-2 FAX:0769-86389903				DRAWING NO. ZX-24C1		REV. A01	