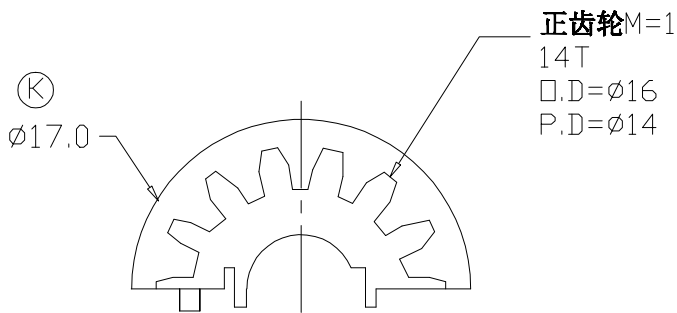
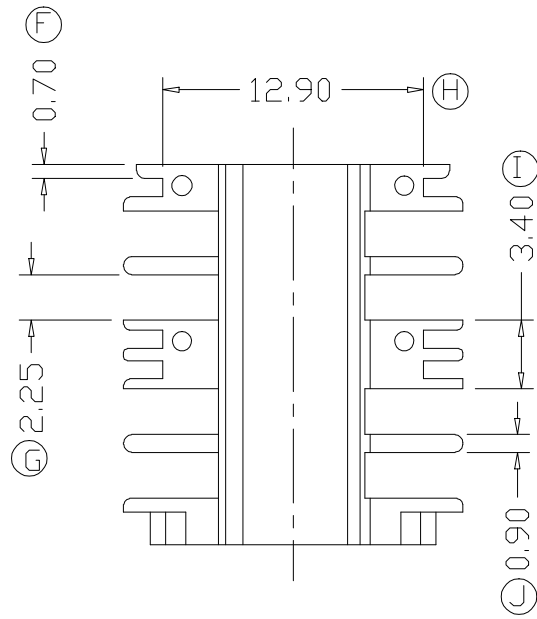
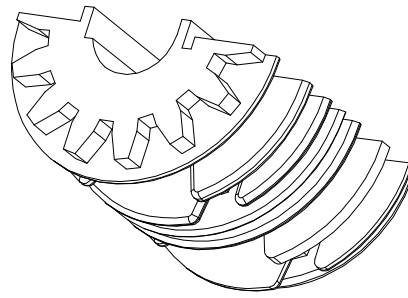
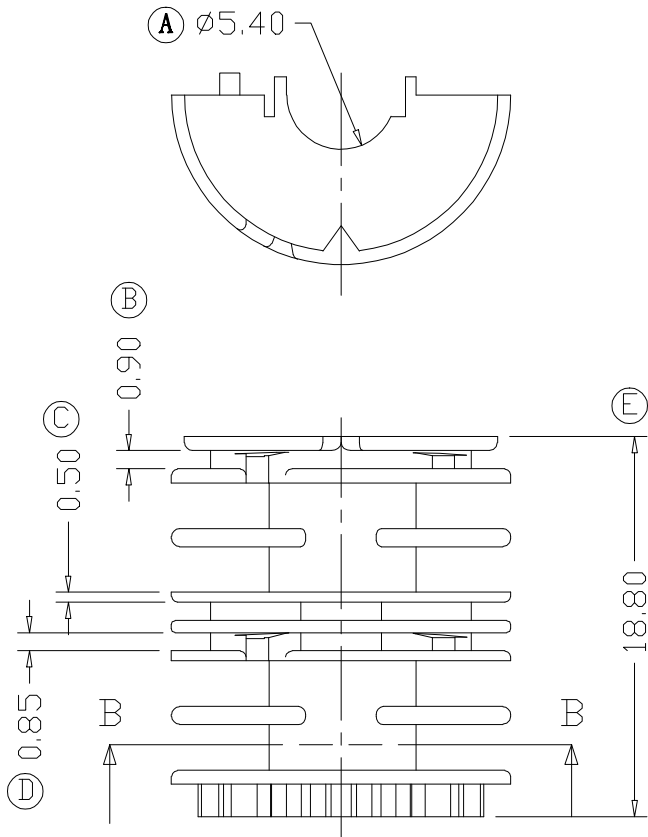
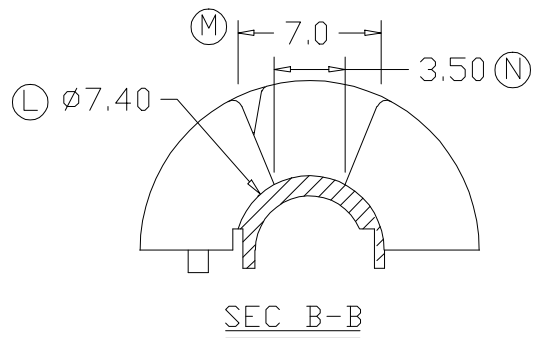


# ZX-24C



正齿轮 M=1  
14T  
□.D=φ16  
P.D=φ14



REV.	REVISIONS REC.		DATE	REV.	REVISIONS REC.		DATE		
1				4					
2				5					
3				6					
DRAWN & DRAFTED BY		LIU WEI QIANG		TOLERANCES		ANGLE: ±1°		TITLE: ET-24(4S)	
CHECKED & APPROVED BY		MA BU JIAN		0<L≤4 ±0.1 4<L≤16 ±0.2 16<L≤63 ±0.3		pin pitch ±0.2		BOBBIN MATERIAL: PBT	
				UNIT: MM		SCALE:		UL REC. UL 94V-0	
								PIN MATERIAL:	
								PIN TENSION LOAD:	
ZXE		智信电子塑胶有限公司		DATE: 2007.07.02		DRAWING NO. ZX-24C		REV. A01	
		ZHI XIN ELECTRONICS PLASTIC CO., LTD.							
		TEL:0769-86389901-2							
		FAX:0769-86389903							