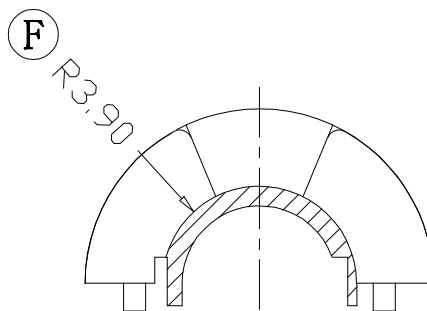
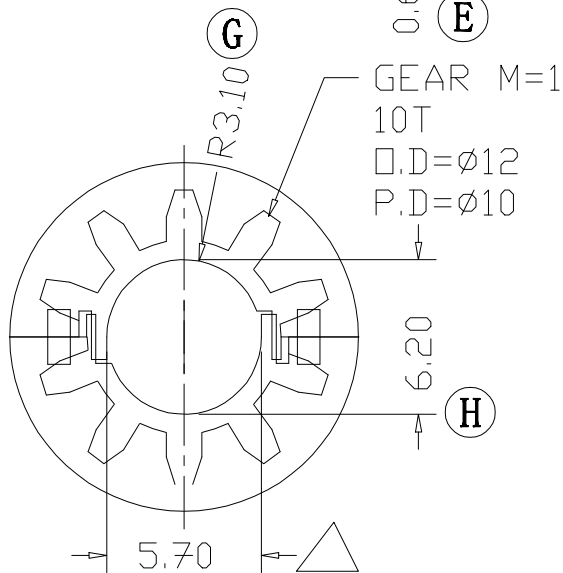
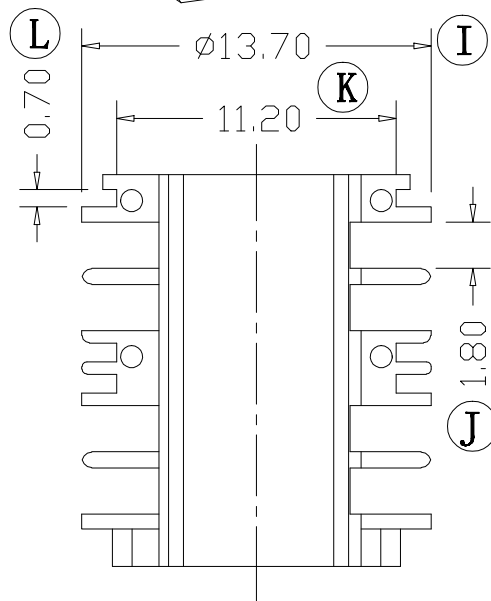
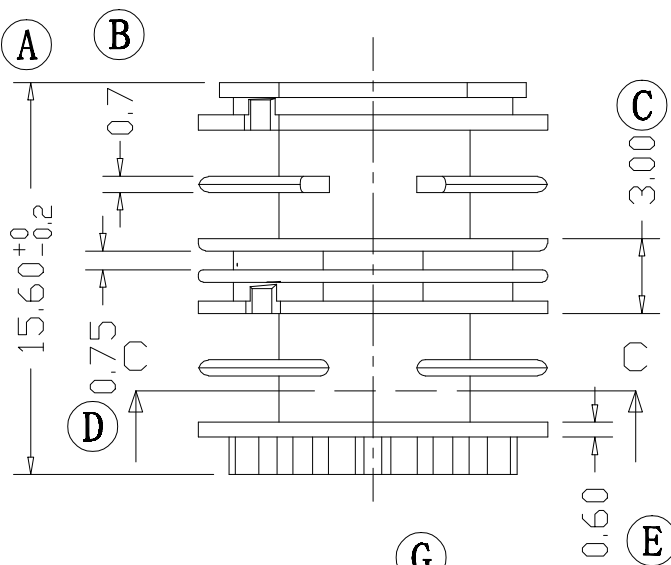
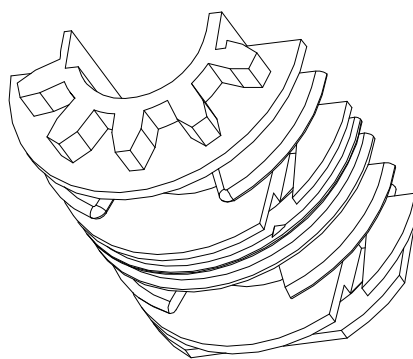
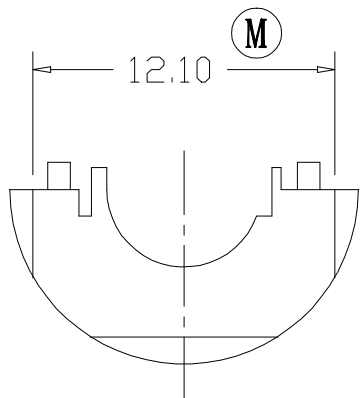


# ZX-20B



REV.	REVISIONS REC.	DATE	REV.	REVISIONS REC.	DATE
1	③ 尺寸已之前的3.2变更为3.0		4		
2	① 尺寸已之前的14.0变更为13.7		5		
3	△ 加尺寸5.70		6		

DRAWN & DRAFTED BY LIU WEI QIANG	TOLERANCES		ANGLE:	TITLE: UT-20(4S)	
	0<L≤4 ±0.1	pin pitch ±0.2	±1°	BOBBIN MATERIAL:	UL REC. UL 94V-0
CHECKED & APPROVED BY LI JUN	4<L≤16 ±0.2		UNIT:	PBT/1403G3	
	16<L≤63 ±0.3		MM	PIN MATERIAL:	PIN TENSION LOAD:
<b>智信电子塑胶有限公司</b> ZHI XIN ELECTRONICS PLASTIC CO., LTD. TEL:0769-86389901-2 FAX:0769-86389903			SCALE:	DATE: 2007.06.04	DRAWING NO. ZX-20B
				REV. A02	