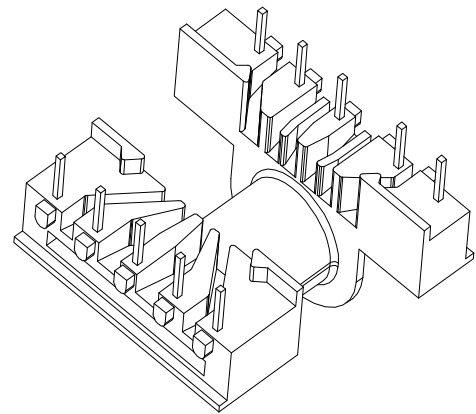
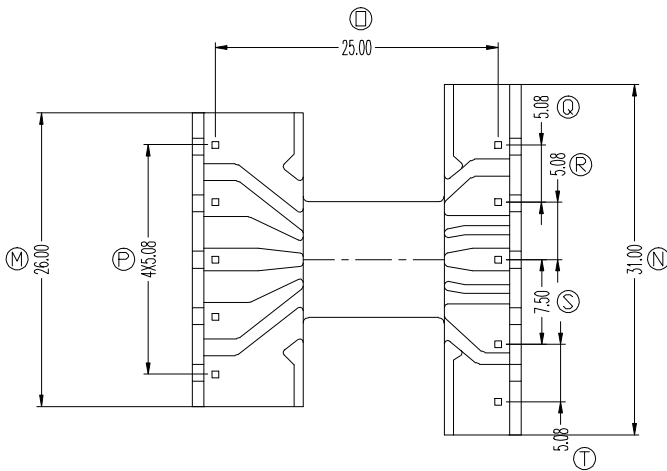
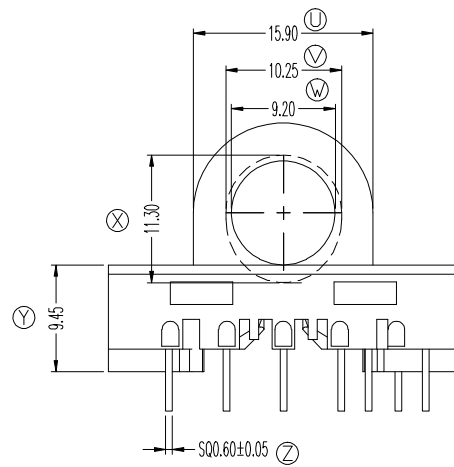
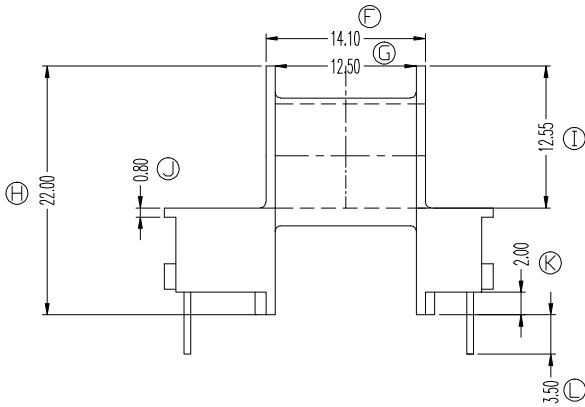
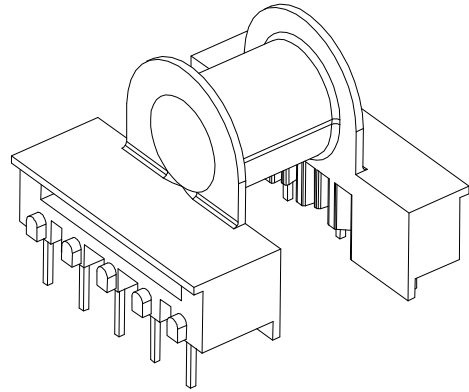
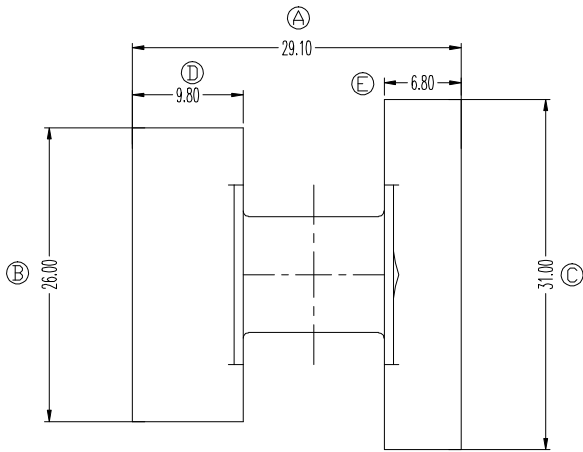


ZX-20BS



REV.	REVISIONS	REC.	DATE	REV.	REVISIONS	REC.	DATE
1				4			
2				5			
3				6			
DRAWN & DRAFTED BY		LIU WEI QIANG		TOLERANCES		ANGLE: ±1°	
CHECKED & APPROVED BY		ZHANG YONG		0<L≤4 ±0.1		pin pitch ±0.2	
				4<L≤16 ±0.2			
				16<L≤63 ±0.3			
				UNIT: MM		TITLE: EP-20(5+5P)	
				SCALE:		BOBBIN MATERIAL: PM9820	
				DATE: 2018.11.15		UL REC. UL 94V-0	
				DRAWING NO. ZX-20BS		PIN MATERIAL: CP WIRE	
				REV. A01		PIN TENSION LOAD: 1.0KG MIN	



智信电子塑胶有限公司

ZHI XIN ELECTRONICS PLASTIC CO., LTD.
TEL:0769-86389901-2 FAX:0769-86389903