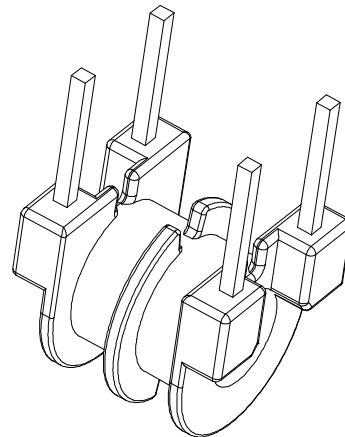
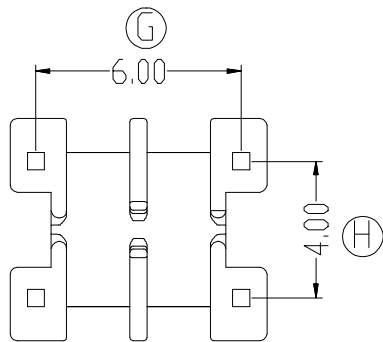
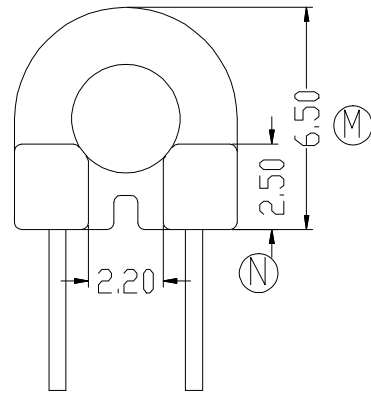
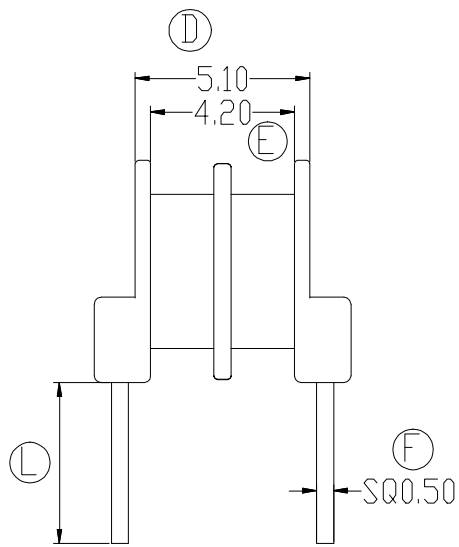
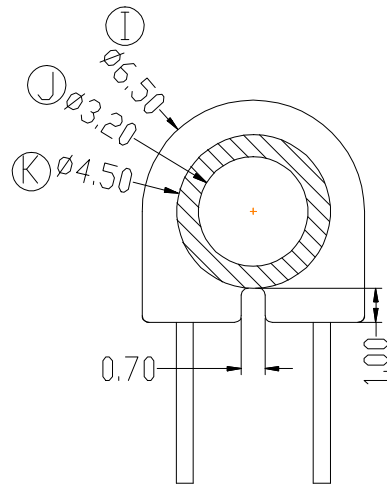
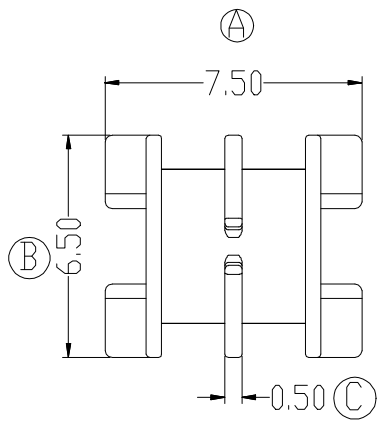


ZX-4C



REV.	REVISIONS	REC.	DATE	REV.	REVISIONS	REC.	DATE
1				4			
2				5			
3				6			
DRAWN & DRAFTED BY		LIU WEI QIANG		TOLERANCES		ANGLE: $\pm 1^\circ$	
CHECKED & APPROVED BY		ZHANG YONG		$0 < L \leq 4 \pm 0.1$ $4 < L \leq 16 \pm 0.2$ $16 < L \leq 63 \pm 0.3$		pin pitch $\pm 0.2$	
				UNIT: MM		TITLE: EP-4(2+2P)	
				SCALE:		BOBBIN MATERIAL: PLASTIC	
						UL REC. UL 94V-0	
						PIN MATERIAL: CP WIRE	
						PIN TENSION LOAD: 1.0KG MIN	
				DATE: 2018.12.08		DRAWING NO. ZX-4C	
						REV. A01	



智信电子塑胶有限公司  
 ZHI XIN ELECTRONICS PLASTIC CO., LTD.  
 TEL: 0769-86389901-2 FAX: 0769-86389903

