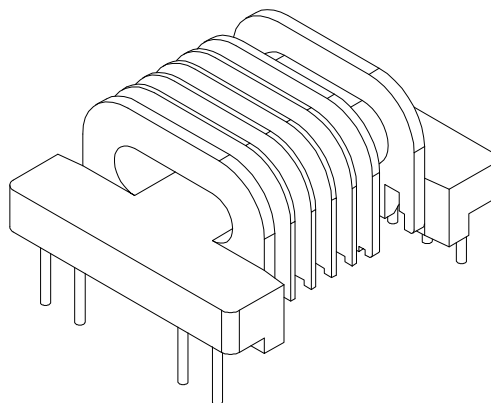
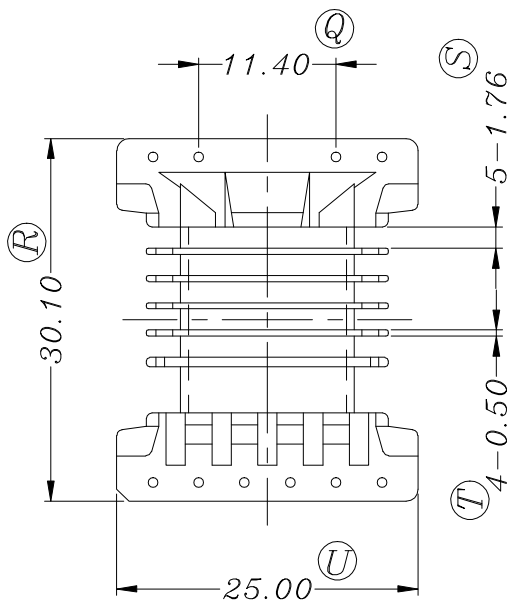
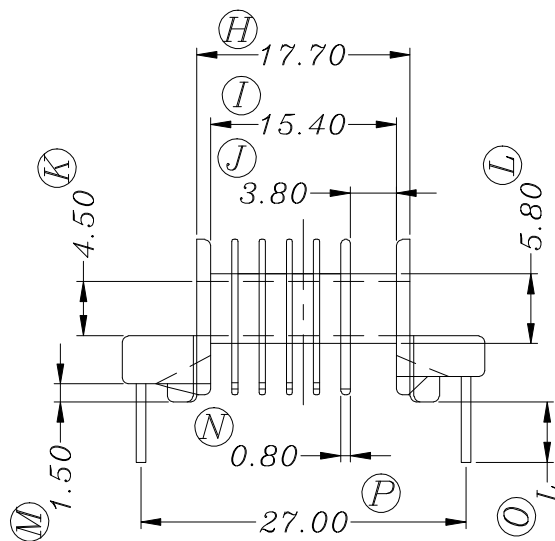
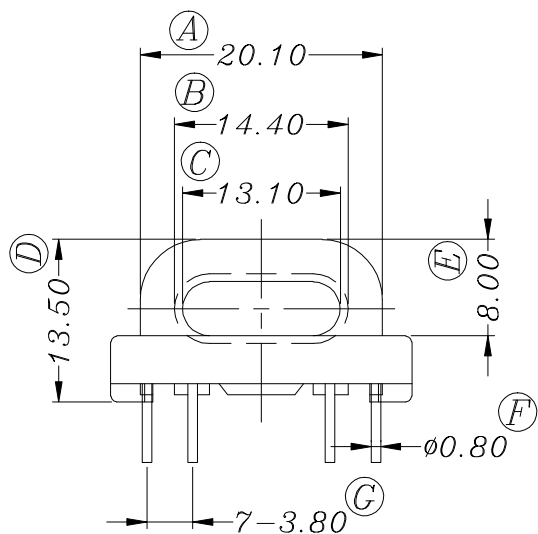


ZX-25AG



REV.	REVISIONS REC.		DATE	REV.	REVISIONS REC.		DATE		
1				4					
2				5					
3				6					
DRAWN & DRAFTED BY		LIU WEI QIANG		TOLERANCES		ANGLE: $\pm 1^\circ$		TITLE: EPC-25 (4+6P) 6S	
CHECKED & APPROVED BY		MA BU JIAN		$0 < L \leq 4 \pm 0.1$ $4 < L \leq 16 \pm 0.2$ $16 < L \leq 63 \pm 0.3$		pin pitch ± 0.2		UNIT: MM	
								BOBBIN MATERIAL: PLASTIC	
								UL REC. UL 94V-0	
								PIN MATERIAL: CP WIRE	
								PIN TENSION LOAD: 1.5kg MIN.	
								DATE: 2006.09.14	
								DRAWING NO. ZX-25AG	
								REV. A01	



智信电子塑胶有限公司
ZHI XIN ELECTRONICS PLASTIC CO., LTD.
 TEL:0769-86389901-2 FAX:0769-86389903

