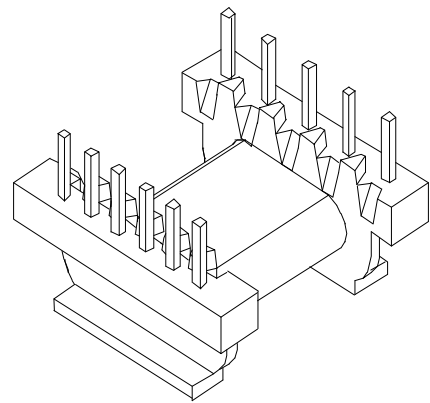
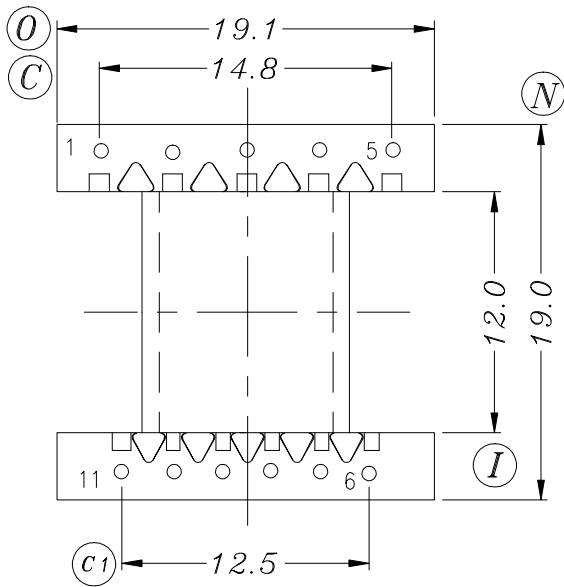
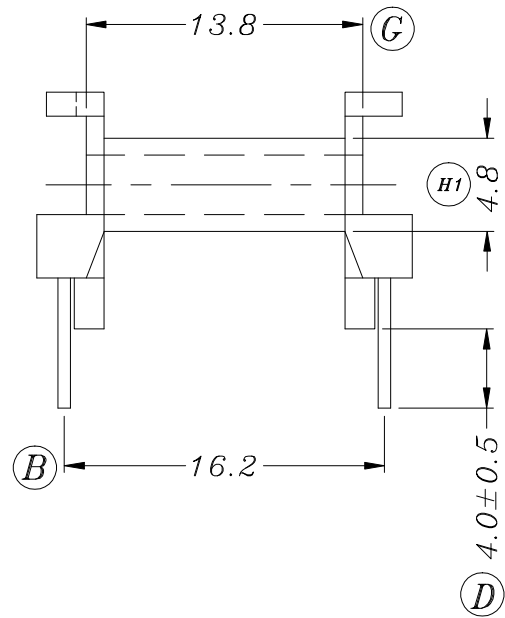
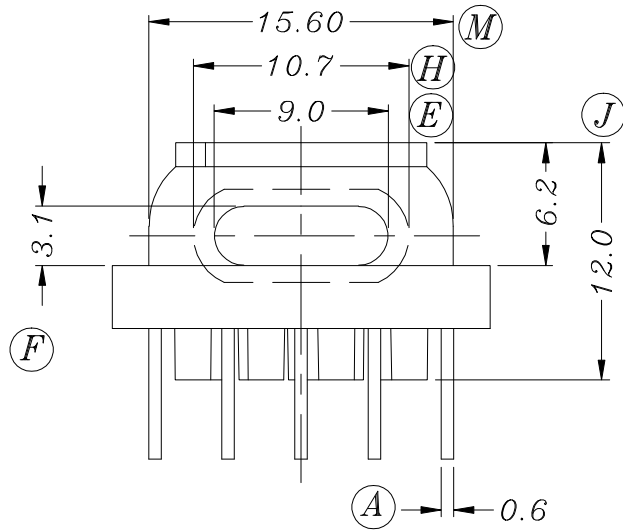


# ZX-19W



REV.	REVISIONS REC.		DATE	REV.	REVISIONS REC.		DATE
1				4			
2				5			
3				6			
DRAWN & DRAFTED BY		LIU WEI QIANG	TOLERANCES		ANGLE: $\pm 1^\circ$		TITLE: <b>EPC-19 (5+6P)</b>
CHECKED & APPROVED BY		MA BU JIAN	$0 < L \leq 4 \pm 0.1$ $4 < L \leq 16 \pm 0.2$ $16 < L \leq 63 \pm 0.3$	pin pitch $\pm 0.2$	UNIT: MM	BOBBIN MATERIAL: PHENOLIC	UL REC. UL 94V-0
SCALE:		智信电子塑胶有限公司		PIN MATERIAL: CP WIRE		PIN TENSION LOAD: 1.0KG MIN	
ZXE		ZHI XIN ELECTRONICS PLASTIC CO., LTD.		DATE: 2008.08.19	DRAWING NO. ZX-19W	REV. A01	
TEL:0769-86389901-2		FAX:0769-86389903					