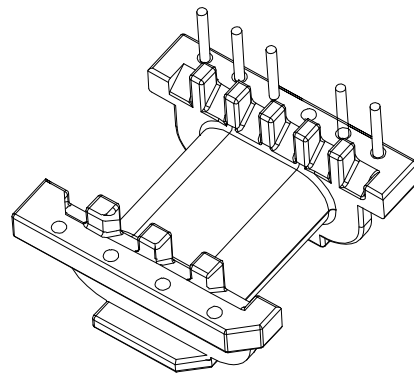
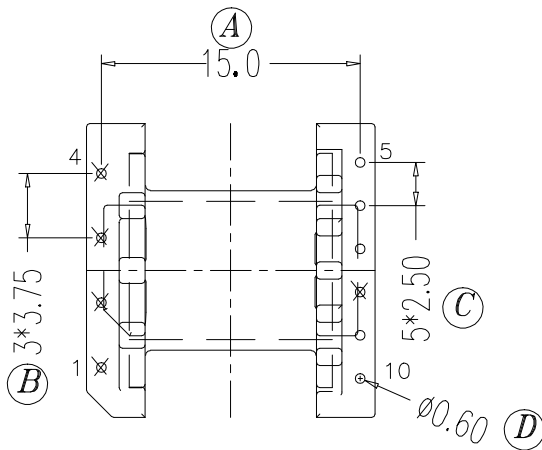
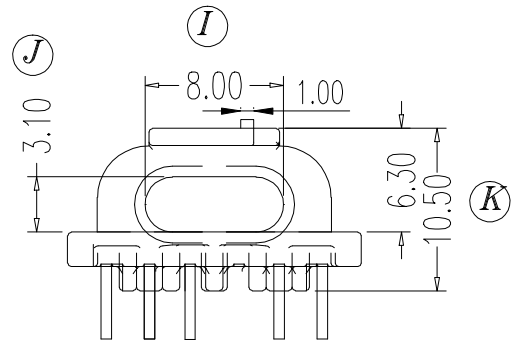
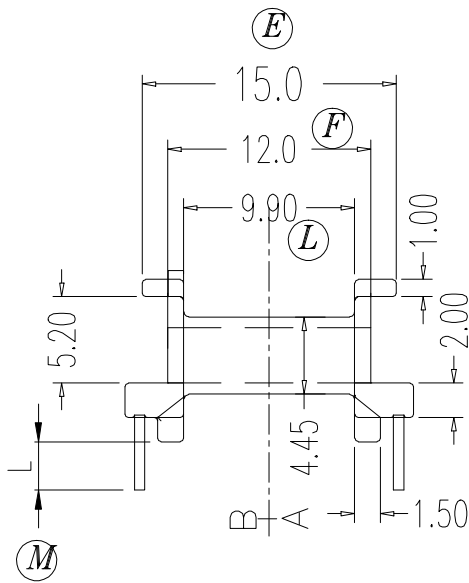
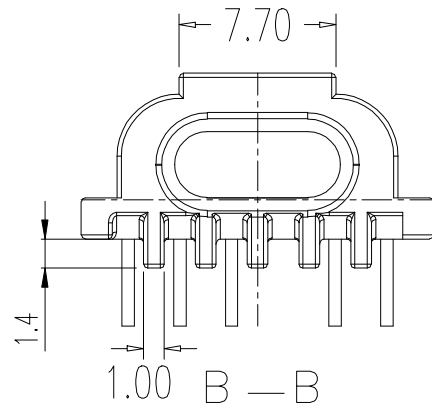
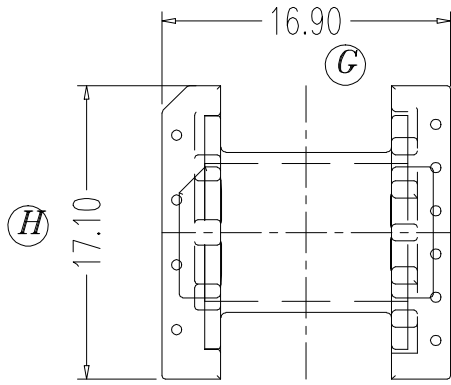


ZX-17B



REV.	REVISIONS	REC.	DATE	REV.	REVISIONS	REC.	DATE
1	产品顶部增加定位点	2014.10.17		4	J 此尺寸修改3.2变更为3.1	2015.04.09	
2	K 此尺寸修改9.6变更为10.00	2015.04.09		5	K 此尺寸修改10.0变更为10.5	2015.07.16	
3	L 此尺寸修改7.8变更为8.00	2015.04.09		6			
DRAWN & DRAFTED BY		LIU WEI QIANG		TOLERANCES		ANGLE: ±1°	
CHECKED & APPROVED BY		MA BU JIAN		0<L≤4 ±0.1		UNIT: MM	
				4<L≤16 ±0.2		TITLE: EPC-17(4+6P)	
				16<L≤63 ±0.3		BOBBIN MATERIAL: PHENOLIC	
				pin pitch ±0.2		UL REC. UL 94V-0	
				SCALE:		PIN MATERIAL: CP WIRE	
				DATE: 2007.05.04		PIN TENSION LOAD: 1.0KG MIN	
				DRAWING NO. ZX-17B		REV. A02	



智信电子塑胶有限公司

ZHI XIN ELECTRONICS PLASTIC CO., LTD.
TEL:0769-86389901-2 FAX:0769-86389903

