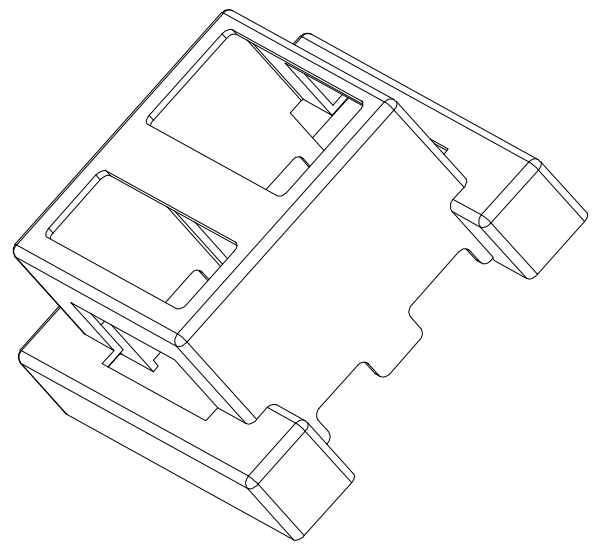
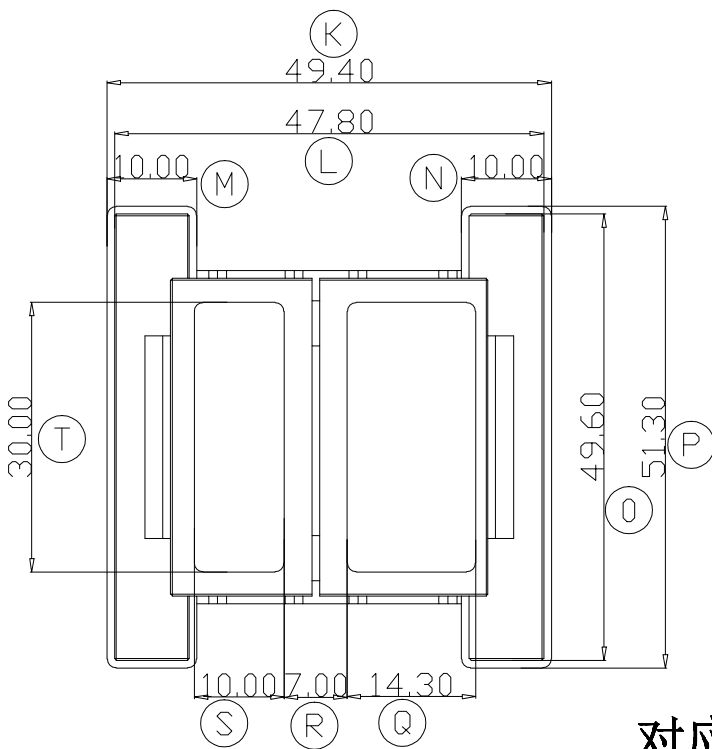
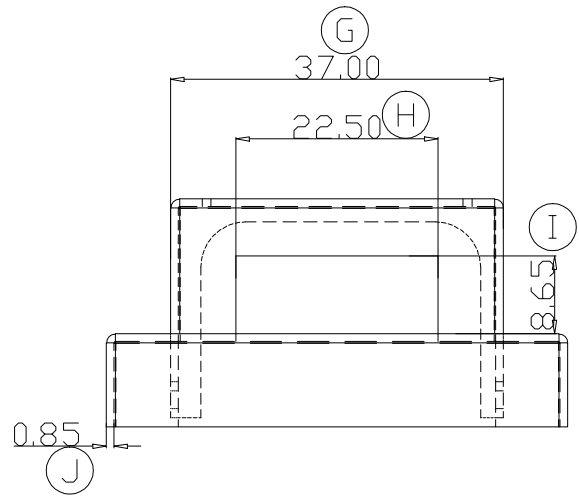
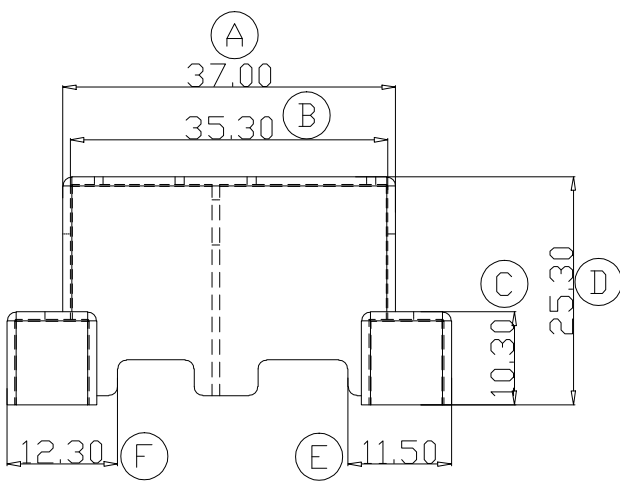


ZX-50A1



对应的ZX-50A

REV.	REVISIONS REC.		DATE	REV.	REVISIONS REC.		DATE
1				4			
2				5			
3				6			
DRAWN & DRAFTED BY		LIU WEI QIANG		TOLERANCES		ANGLE: $\pm 1^\circ$	
CHECKED & APPROVED BY		MA BU JIAN		$0 < L \leq 4 \pm 0.1$ $4 < L \leq 16 \pm 0.2$ $16 < L \leq 63 \pm 0.3$		UNIT: MM TITLE: CASE	
				pin pitch ± 0.2		BOBBIN MATERIAL: PHENOLIC	
				SCALE:		UL REC. UL 94V-0	
				PIN MATERIAL:		PIN TENSION LOAD:	
智信电子塑胶有限公司 ZHI XIN ELECTRONICS PLASTIC CO., LTD. TEL:0769-86389901-2 FAX:0769-86389903				DATE: 2005.09.18		DRAWING NO. ZX-50A1	
						REV. A01	