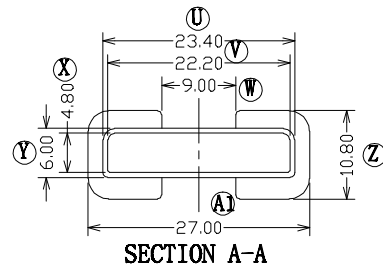
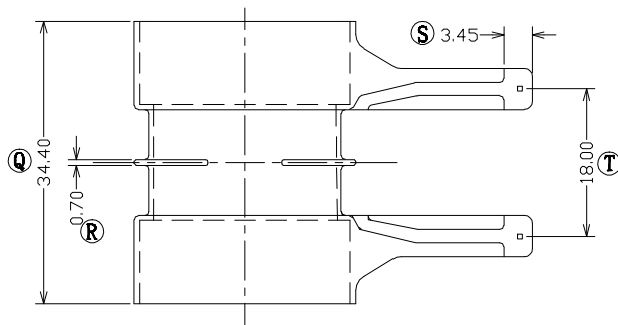
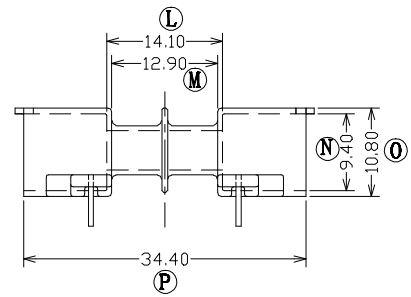
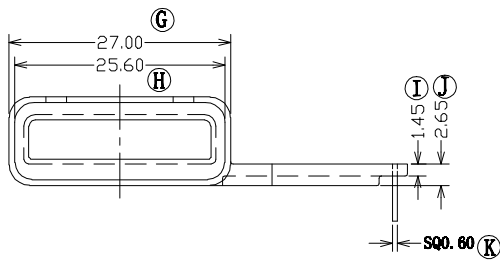
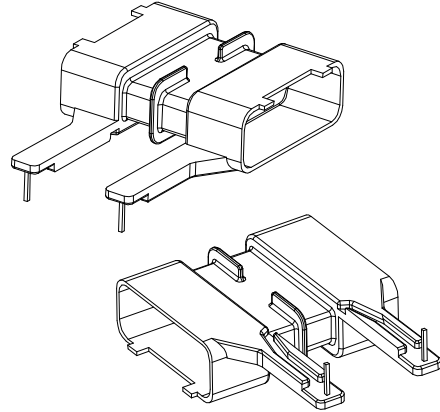
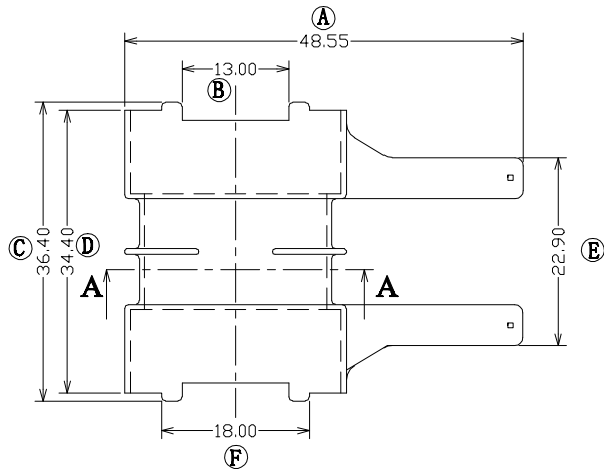


ZX-43B



对应ZX-43B1

REV.	REVISIONS REC.		DATE	REV.	REVISIONS REC.		DATE
1				4			
2				5			
3				6			
DRAWN & DRAFTED BY		LIU WEI QIANG		TOLERANCES		ANGLE: $\pm 1^\circ$	
CHECKED &		LI JUN		$0 < L \leq 4 \pm 0.1$ $4 < L \leq 16 \pm 0.2$ $16 < L \leq 63 \pm 0.3$		pin pitch ± 0.2	
				UNIT: MM		TITLE: EFD-43(2P)	
				SCALE:		BOBBIN MATERIAL: PM-9820	
						UL REC. UL 94V-0	
						PIN MATERIAL: SQ0.6镀锡铜包钢线	
						PIN TENSION LOAD: 1.2KG MIN	
				DATE: 2010.04.06		DRAWING NO. ZX-43B	
						REV. A01	



智信电子塑胶有限公司
ZHI XIN ELECTRONICS PLASTIC CO., LTD.
TEL:0769-86389901-2 FAX:0769-86389903

