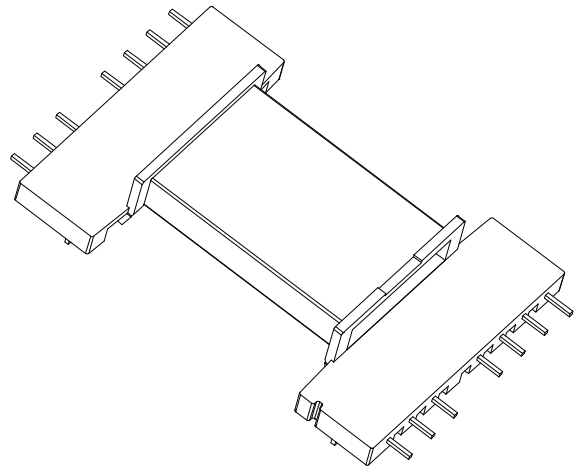
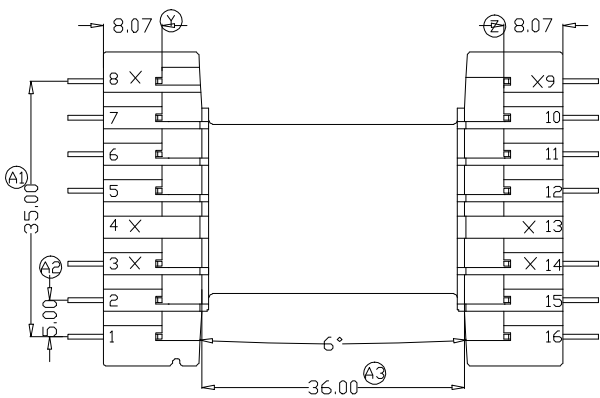
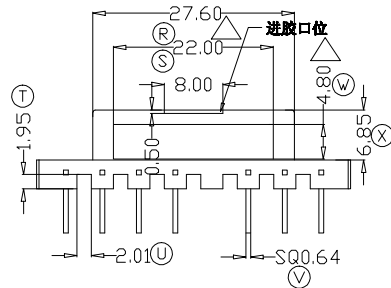
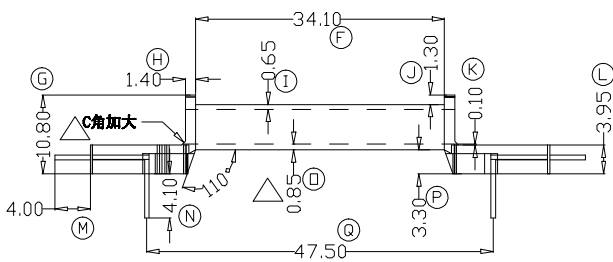
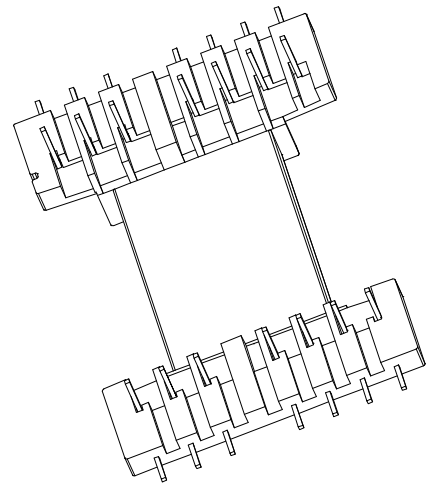
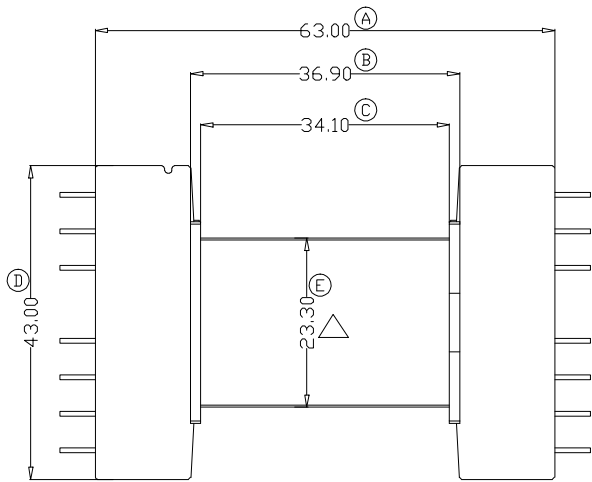


ZX-43A



REV.	REVISIONS	REC.	DATE	REV.	REVISIONS	REC.	DATE	
1	PIN台C角加大		2014.06.10	4	⑤ 尺寸已之前的22.0偏下限变更为22.0偏上限		2014.06.10	
2	⑥ 尺寸已之前的23.2变更为23.3		2014.06.10	5				
3	④ 尺寸已之前的0.75变更为0.85		2014.06.10	6				
DRAWN & DRAFTED BY		LIU WEI QIANG	TOLERANCES		ANGLE: $\pm 1^\circ$			TITLE: EFD-43(8+8P)
CHECKED & APPROVED BY		MA BU JIAN	0 < L ≤ 4	±0.1	pin pitch	UNIT: MM		BOBBIN MATERIAL: PM-9820
			4 < L ≤ 16	±0.2				UL REC. UL 94V-0
			16 < L ≤ 63	±0.3			PIN MATERIAL: CP WIRE	
					SCALE:		PIN TENSION LOAD: 1.2KG MIN	
ZXE 智信电子塑胶有限公司		ZHI XIN ELECTRONICS PLASTIC CO., LTD.		DATE: 2014.03.25		DRAWING NO. ZX-43A		
TEL:0769-86389901-2		FAX:0769-86389903		REV. A02				