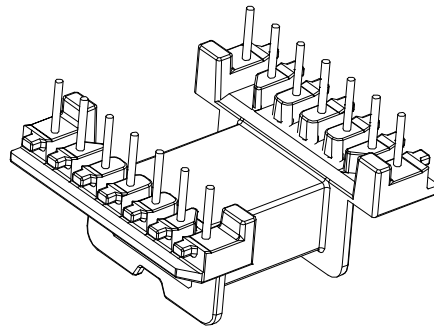
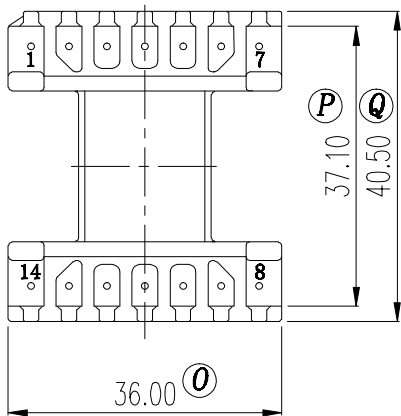
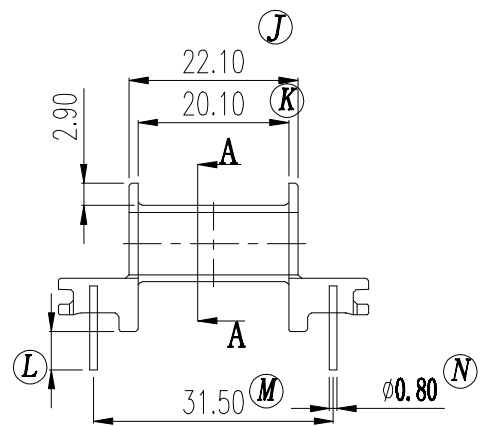
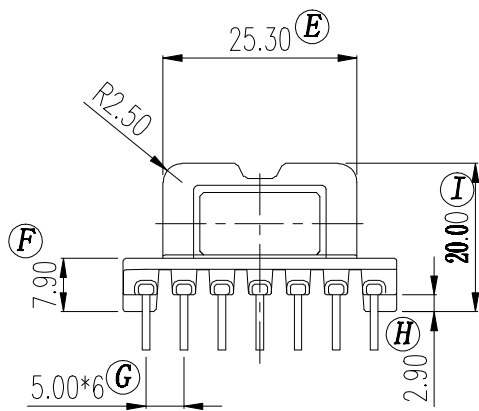
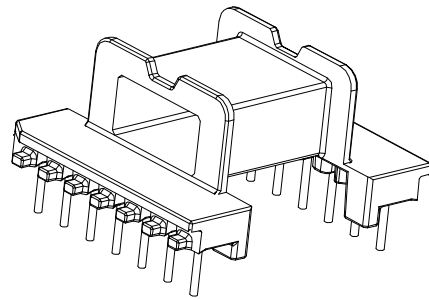
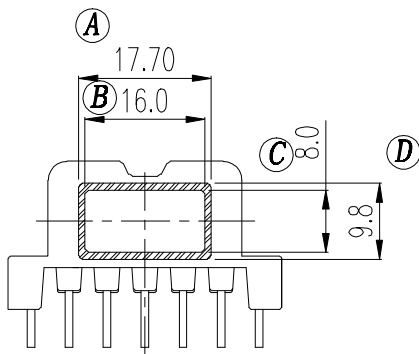


ZX-36A



REV.	REVISIONS REC.		DATE	REV.	REVISIONS REC.		DATE
1				4			
2				5			
3				6			
DRAWN & DRAFTED BY		LIU WEI QIANG	TOLERANCES		ANGLE:	TITLE: EFD-36(7+7P)	
CHECKED & APPROVED BY		MA BU JIAN	0<L≤4 ±0.1	pin pitch ±0.2	±1°	UL REC. UL 94V-0	
			4<L≤16 ±0.2		UNIT: MM	BOBBIN MATERIAL: PHENOLIC	PIN TENSION LOAD: 1.0KG MIN
			16<L≤63 ±0.3	SCALE:	PIN MATERIAL: CP WIRE		
智信电子塑胶有限公司 ZHI XIN ELECTRONICS PLASTIC CO., LTD. TEL:0769-86389901-2 FAX:0769-86389903				DATE: 2005.08.17	DRAWING NO. ZX-36A	REV. A01	