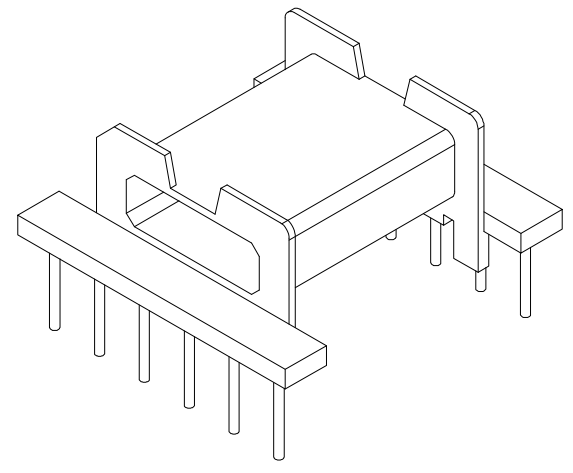
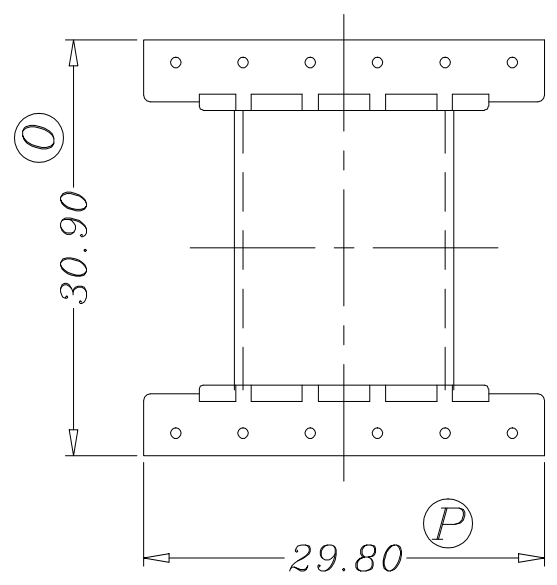
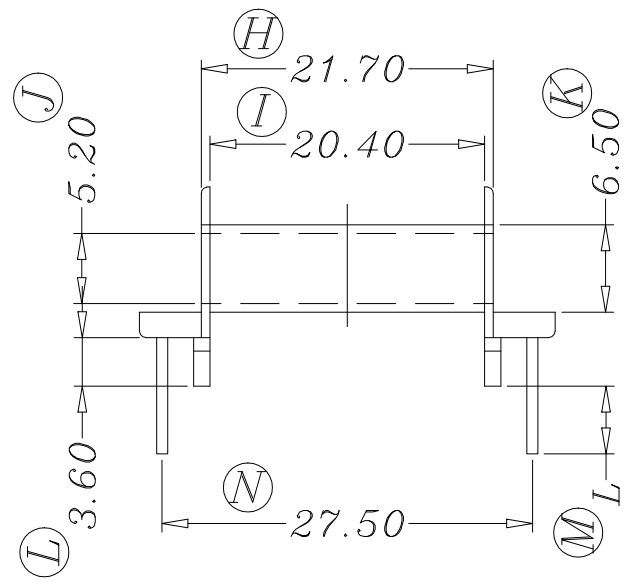
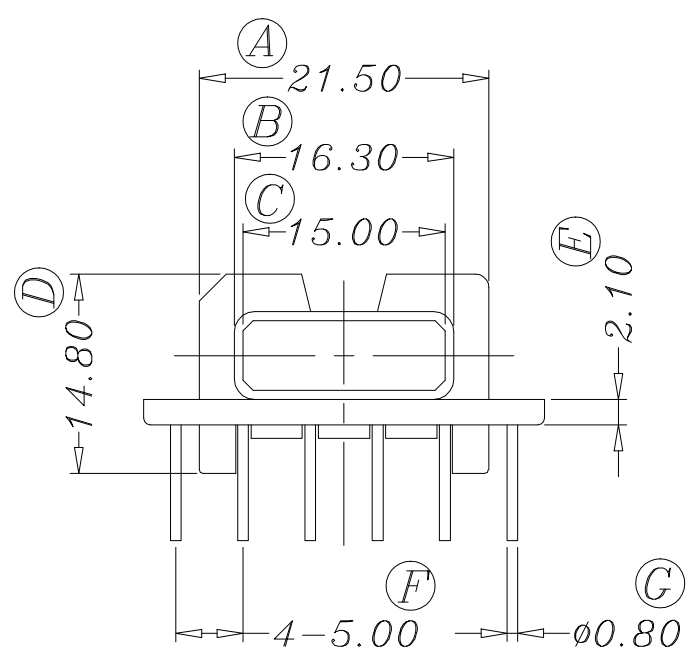


# ZX-30D



| REV.                  | REVISIONS REC. |               | DATE             | REV.      | REVISIONS REC. |                  | DATE              |
|-----------------------|----------------|---------------|------------------|-----------|----------------|------------------|-------------------|
| 1                     |                |               |                  | 4         |                |                  |                   |
| 2                     |                |               |                  | 5         |                |                  |                   |
| 3                     |                |               |                  | 6         |                |                  |                   |
| DRAWN & DRAFTED BY    |                | LIU WEI QIANG | TOLERANCES       |           | ANGLE:         | TITLE:           |                   |
| CHECKED & APPROVED BY |                | MA BU JIAN    | 0 < L ≤ 4 ±0.1   | pin pitch | ±1°            | EFD-30(6+6P)     |                   |
|                       |                |               | 4 < L ≤ 16 ±0.2  | ±0.2      | UNIT:          | BOBBIN MATERIAL: | UL REC.           |
|                       |                |               | 16 < L ≤ 63 ±0.3 |           | MM             | PHENOLIC         | UL 94V-0          |
|                       |                |               |                  |           | SCALE:         | PIN MATERIAL:    | PIN TENSION LOAD: |
|                       |                |               |                  |           |                | CP WIRE          | 1.0KG MIN         |
|                       |                |               |                  |           |                | DATE:            | DRAWING NO.       |
|                       |                |               |                  |           |                | 2010.05.09       | ZX-30D            |
|                       |                |               |                  |           |                |                  | REV. A01          |



**智信电子塑胶有限公司**  
**ZHI XIN ELECTRONICS PLASTIC CO., LTD.**  
 TEL:0769-86389901-2 FAX:0769-86389903

