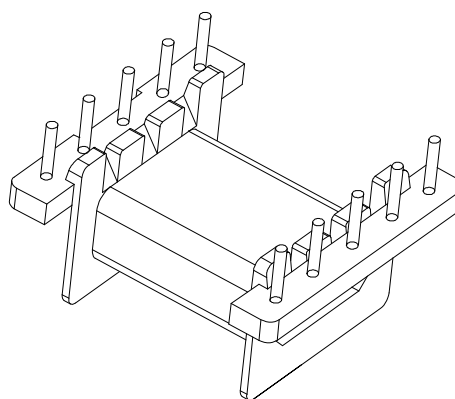
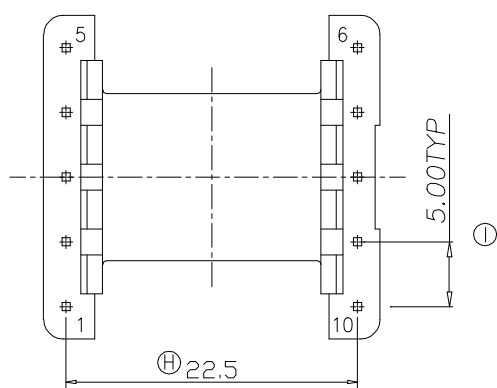
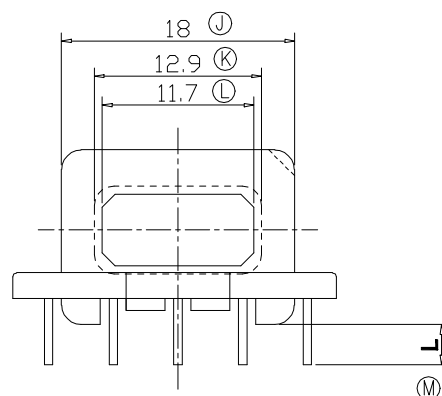
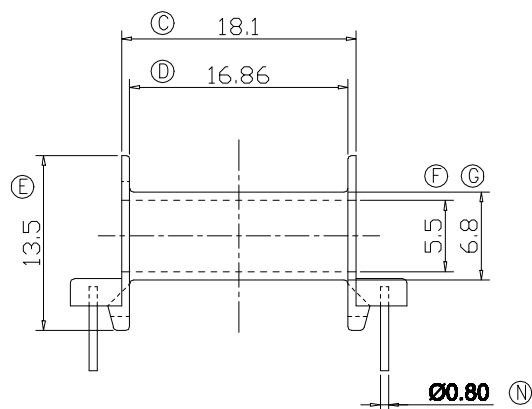
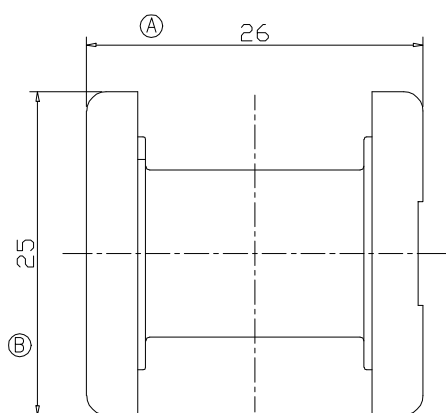

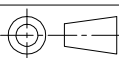


# ZX-25K3



REV.	REVISIONS REC.		DATE	REV.	REVISIONS REC.		DATE
1				4			
2				5			
3				6			
DRAWN & DRAFTED BY		LIU WEI QIANG		TOLERANCES		ANGLE: $\pm 1^\circ$	
CHECKED & APPROVED BY		MA BU JIAN		pin pitch $\pm 0.2$		TITLE: <b>EFD-25(5+5P)</b>	
		0 < L ≤ 4 ±0.1		UNIT: MM		BOBBIN MATERIAL: PM-9820	
		4 < L ≤ 16 ±0.2		SCALE:		UL REC. UL 94V-0	
		16 < L ≤ 63 ±0.3		DATE: 2006.09.05		PIN MATERIAL: CP WIRE	
				DRAWING NO. ZX-25K3		PIN TENSION LOAD: 1.2KG MIN	
 <b>智信电子塑胶有限公司</b> ZHI XIN ELECTRONICS PLASTIC CO., LTD. TEL:0769-86389901-2 FAX:0769-86389903				REV. A01			