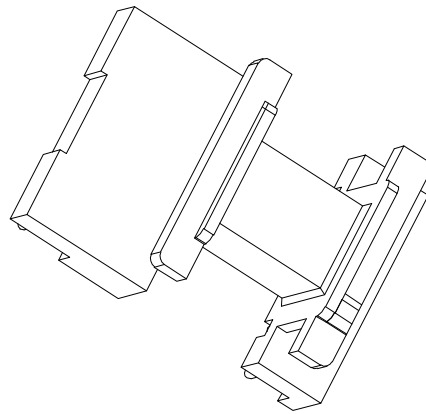
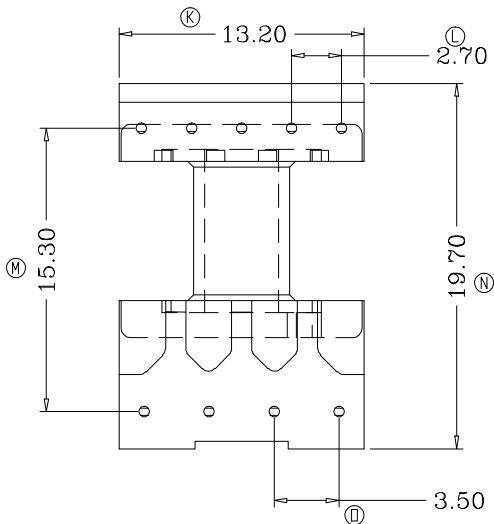
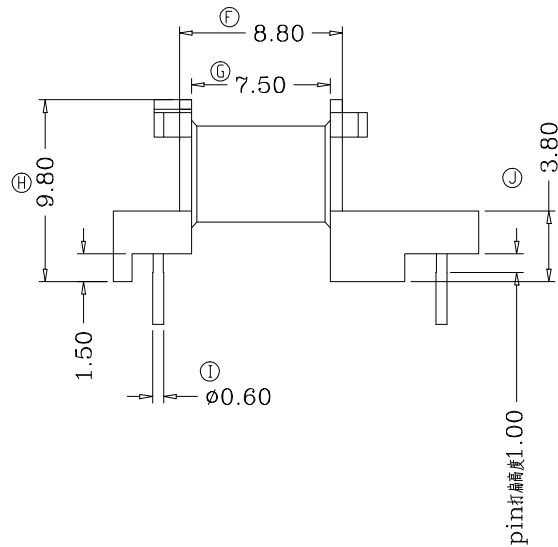
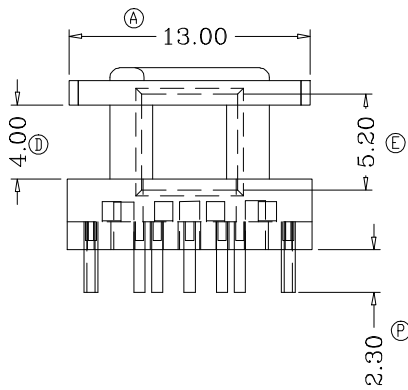
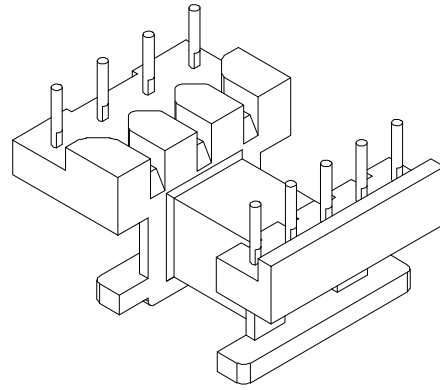
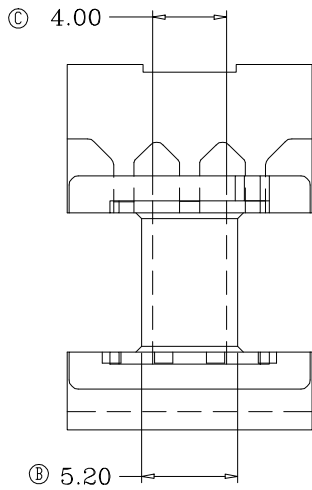


# ZX-12.6H



REV	REVISION	REC	DATE	REV	REVISION	REC	DATE
1				4			
2				5			
3				6			
DRAWN & DRAFTED BY		TOLERANCES		ANGLE:	TITLE		
CHECKED & APPROVED BY	<i>chen ling</i>	0 <L<=4	+/-0.1		EFD-12.6 (4+5P)		
		4 <L<=16	+/-0.2	+/-1	BOBBIN MATERIAL	PHENOLIC	UL REC.
		16 <L<=63	+/-0.3	mm	PIN MATERIAL:	CP WIRE	UL 94V-0
			pin pitch +/-0.2	SCALE			PIN TENSION LOAD:
				1 : 1			1.0KG MIN
<b>智信电子塑胶有限公司</b> <b>ZHI XIN ELECTRONICS PLASTIC CO., LTD.</b> TEL:0769-86389901-2 FAX:0769-86389903				DATE:	DRAWING NO.	REV.	
				2017.04.24	ZX-12.6H	A01	