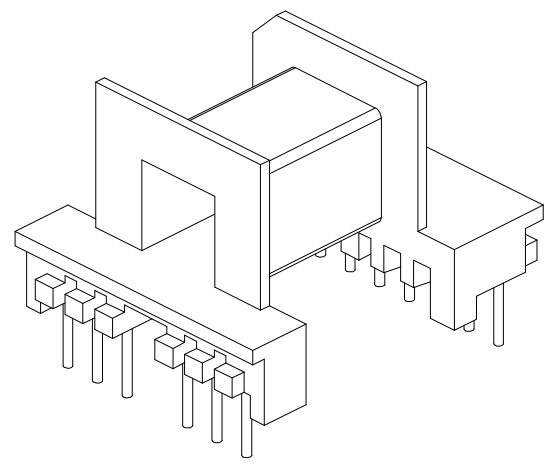
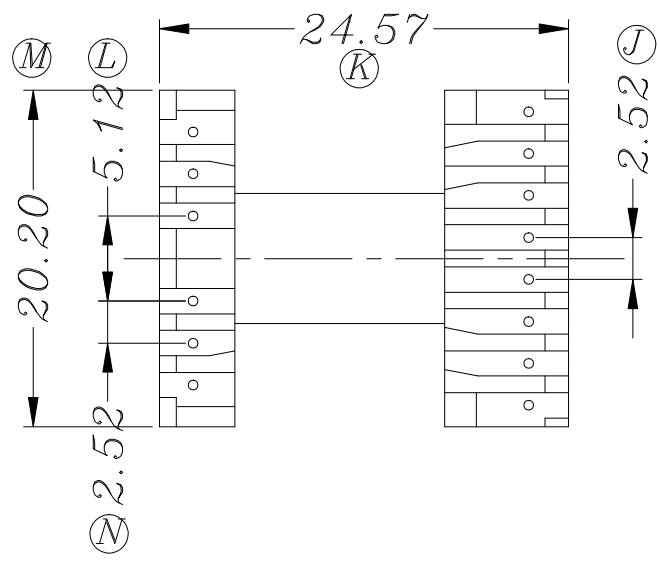
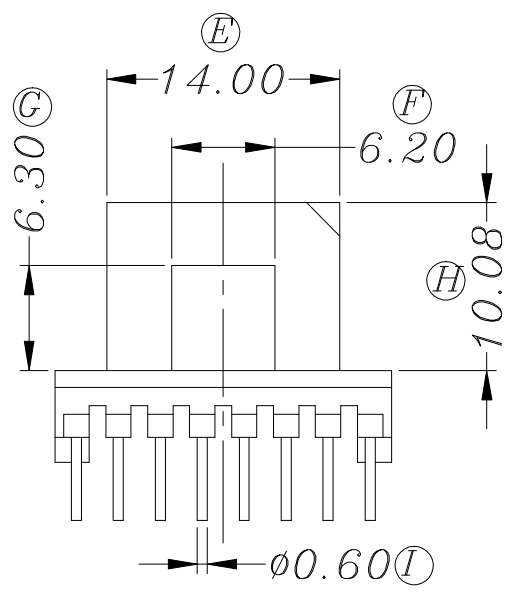
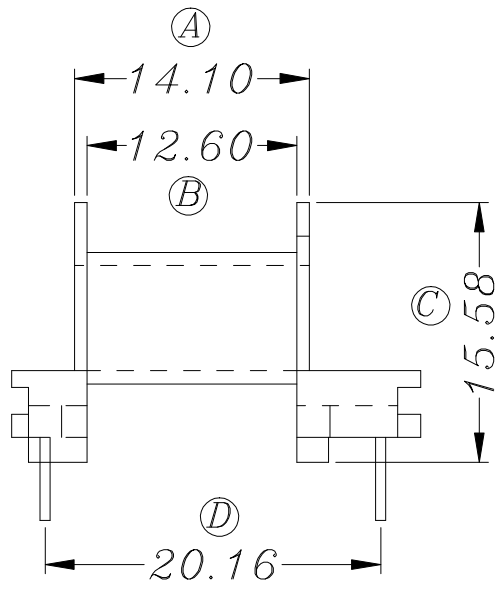


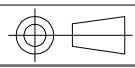
ZX-20BC



REV.	REVISIONS REC.		DATE	REV.	REVISIONS REC.		DATE
1				4			
2				5			
3				6			
DRAWN & DRAFTED BY		LIU WEI QIANG	TOLERANCES		ANGLE:		TITLE:
CHECKED & APPROVED BY		MA BU JIAN	$0 < L \leq 4 \pm 0.1$ $4 < L \leq 16 \pm 0.2$ $16 < L \leq 63 \pm 0.3$	pin pitch	$\pm 1^\circ$	EE-20 (6+8P)	
					UNIT:	BOBBIN MATERIAL:	UL REC.
					MM	PHENOLIC	UL 94V-0
					SCALE:	PIN MATERIAL:	PIN TENSION LOAD:
						CP WIRE	1.0KG MIN
						DATE:	DRAWING NO.
						2007.07.09	ZX-20BC
							REV. A01



智信电子塑胶有限公司
ZHI XIN ELECTRONICS PLASTIC CO. LTD.
 TEL:0769-86389901-2 FAX:0769-86389903



DATE: 2007.07.09
 DRAWING NO. ZX-20BC
 REV. A01