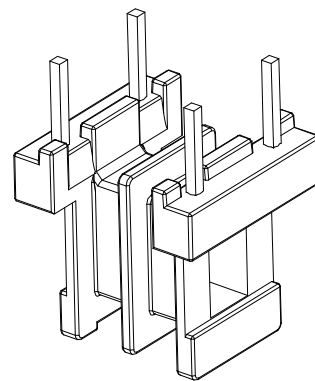
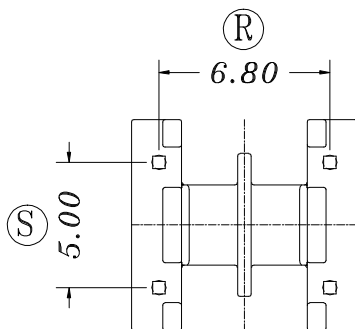
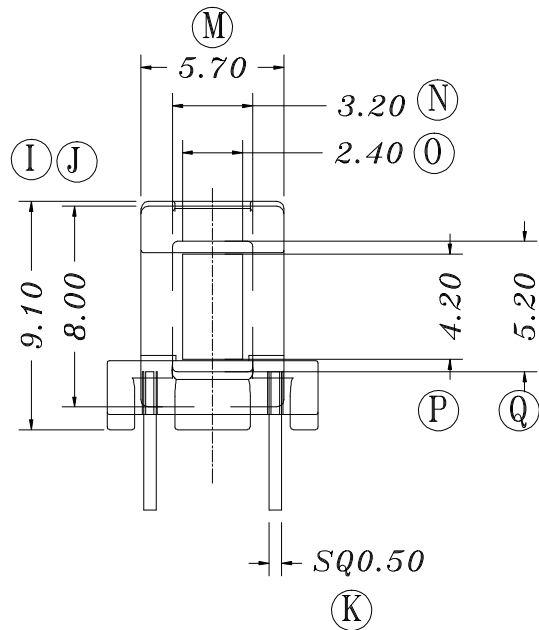
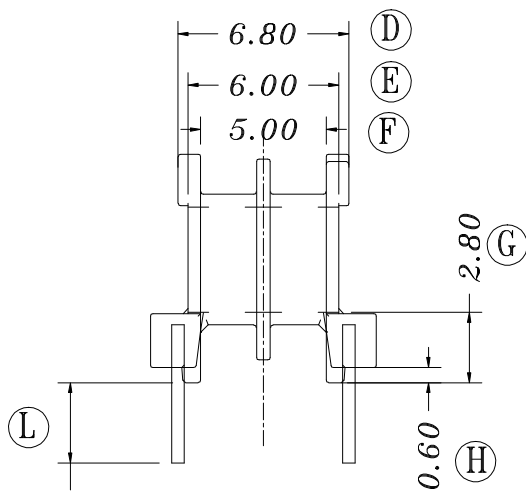
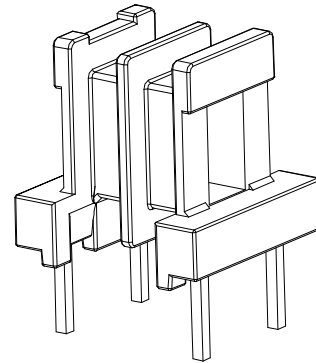
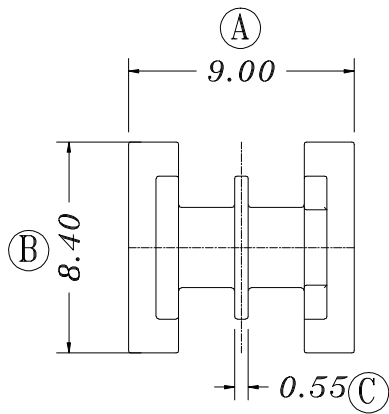


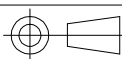
ZX-8. 3H



REV.	REVISIONS REC.	DATE	REV.	REVISIONS REC.	DATE
1			4		
2			5		
3			6		
DRAWN & DRAFTED BY	CHEN LING	TOLERANCES		ANGLE:	TITLE:
CHECKED & APPROVED BY		0<L≤4 ±0.1	pin pitch	±1°	EE-8. 3 (2+2P) 2S
		4<L≤16 ±0.2		UNIT:	BOBBIN MATERIAL:
		16<L≤63 ±0.3	±0.2	MM	PHENOLIC
				SCALE:	UL REC. UL 94V-0
					PIN MATERIAL: CP WIRE
					PIN TENSION LOAD: 0.6KG MIN
					DATE: 2017. 06. 29
					DRAWING NO. ZX-8. 3H
					REV. A01



智信电子塑胶有限公司
ZHI XIN ELECTRONICS PLASTIC CO., LTD.
TEL:0769-86389901-2 FAX:0769-86389903



DATE: 2017. 06. 29

DRAWING NO. ZX-8. 3H

REV. A01