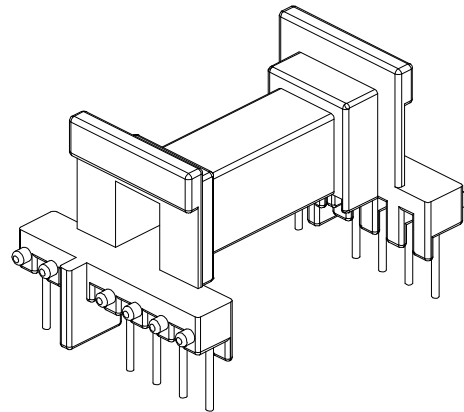
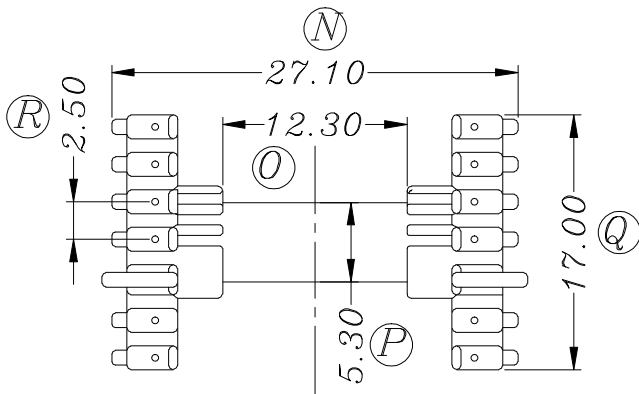
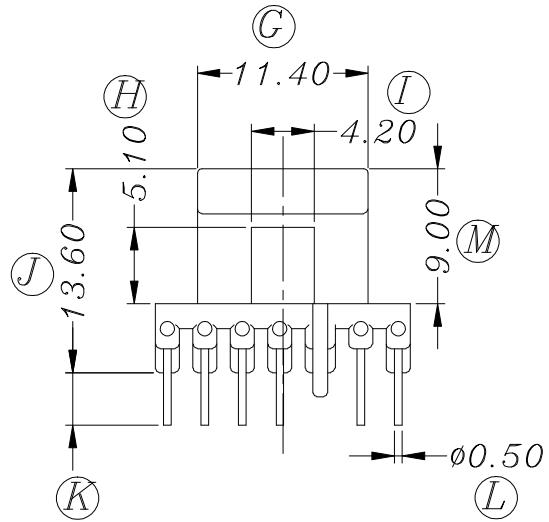
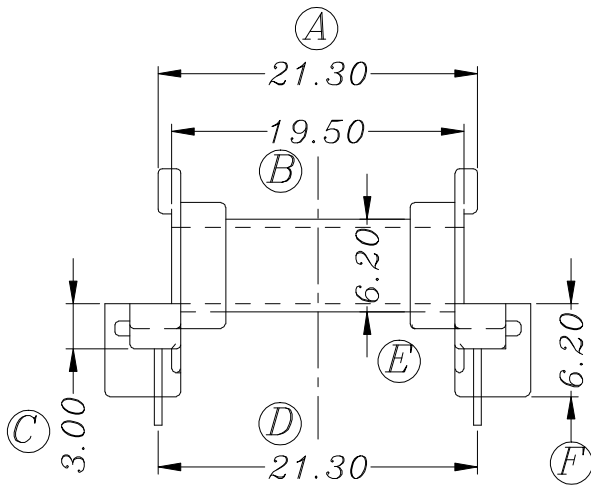


ZX-16BA



REV.	REVISIONS	REC.	DATE	REV.	REVISIONS	REC.	DATE
1				4			
2				5			
3				6			
DRAWN & DRAFTED	LIU WEI QIANG	TOLERANCES		ANGLE: $\pm 1^\circ$	TITLE: EEL-16 (6+6P)		
CHECKED & APPROVED BY	MA BU JIAN	0<L<4 ± 0.1	pin pitch	UNIT: MM	BOBBIN MATERIAL: PHENOLIC	UL REC. UL 94V-0	
		4<L<16 ± 0.2		SCALE:	PIN MATERIAL: CP WIRE	PIN TENSION 0.8KG MIN	
		16<L<63 ± 0.3	± 0.2		DATE: 2011.05.03	DRAWING NO. ZX-16BA	REV. A01
智信电子塑胶有限公司 ZHI XIN ELECTRONICS PLASTIC CO., LTD. TEL:0769-86389901-2 FAX:0769-86389903							