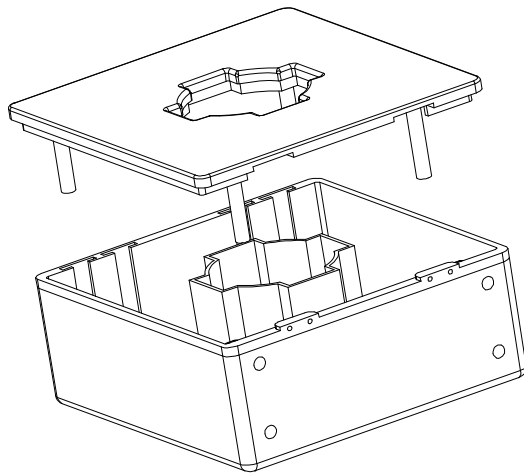
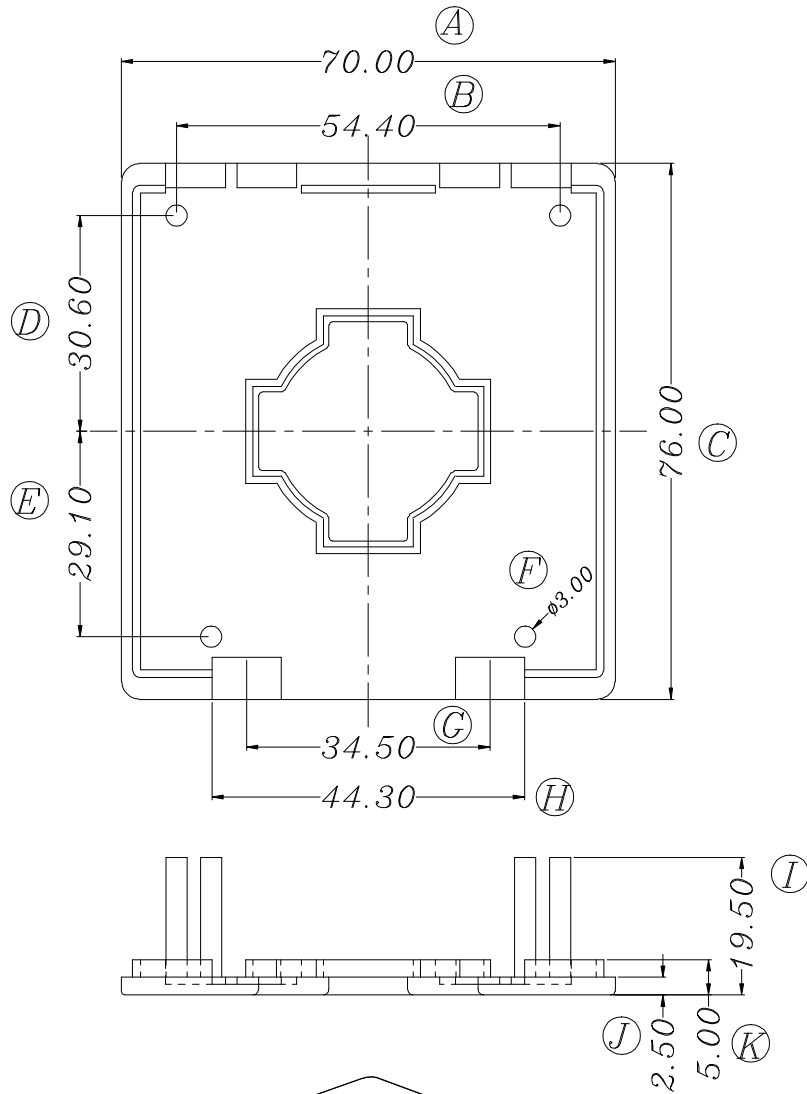


ZX-C072



REV.	REVISIONS	REC.	DATE	REV.	REVISIONS	REC.	DATE		
1				4					
2				5					
3				6					
DRAWN & DRAFTED BY		LIU WEI QIANG		TOLERANCES		ANGLE: $\pm 1^\circ$		TITLE: 76*70 CASE上盖	
CHECKED & APPROVED BY		ZHANG YONG		pin pitch		UNIT: MM		BOBBIN MATERIAL: PET	
		0<L≤4 ±0.1		±0.2		SCALE:		UL REC. UL 94V-0	
		4<L≤16 ±0.2		±0.2		PIN MATERIAL: CP WIRE		PIN TENSION LOAD:	
		16<L≤63 ±0.3				DATE: 2018.12.08		DRAWING NO. ZX-C072	
		智信电子塑胶有限公司 ZHI XIN ELECTRONICS PLASTIC CO., LTD. TEL:0769-86389901-2 FAX:0769-86389903						REV. A01	