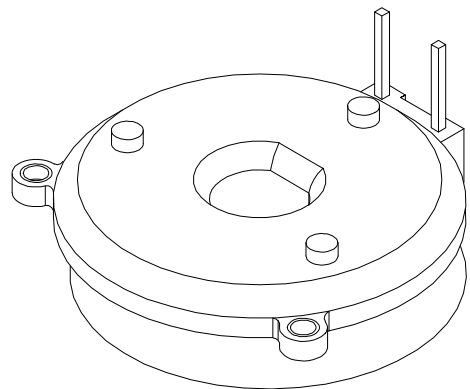
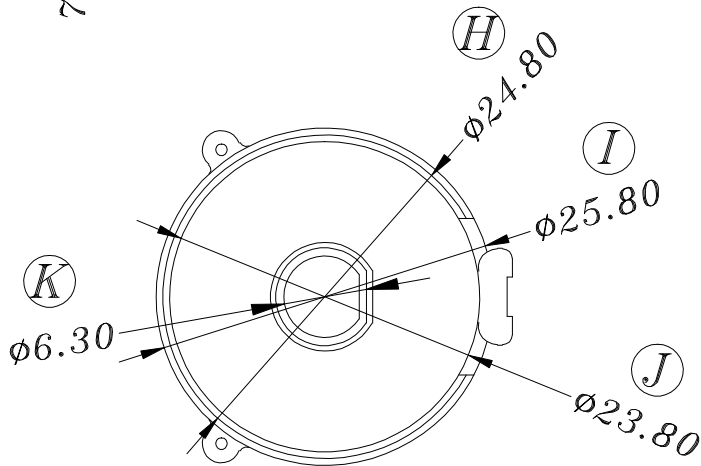
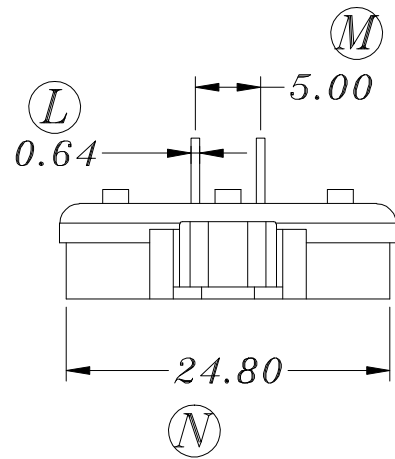
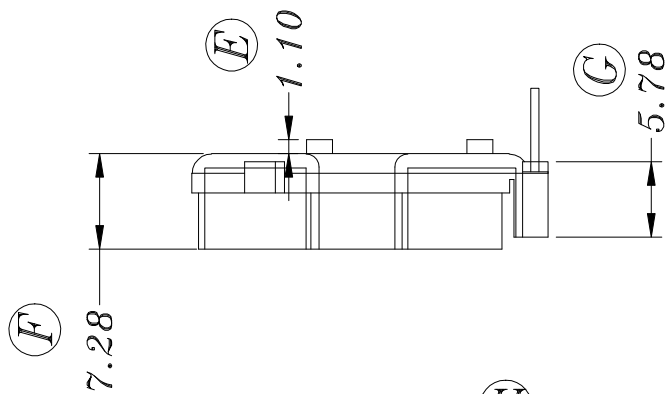
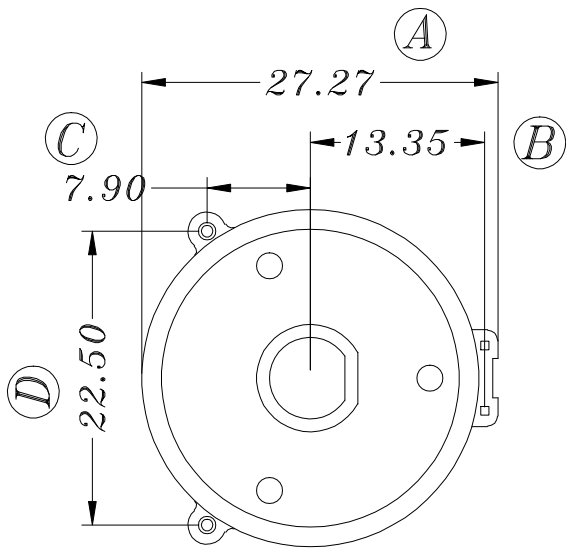


ZX-C066



REV.	REVISIONS	REC.	DATE	REV.	REVISIONS	REC.	DATE
1				4			
2				5			
3				6			
DRAWN & DRAFTED BY		LIU WEI QIANG		TOLERANCES		ANGLE: $\pm 1^\circ$	
CHECKED & APPROVED BY		ZHANG YONG		$0 < L \leq 4 \pm 0.1$ $4 < L \leq 16 \pm 0.2$ $16 < L \leq 63 \pm 0.3$		pin pitch $\pm 0.2$ UNIT: MM SCALE:	
TITLE: CASE(2P) BOBBIN MATERIAL: PA66红色 PIN MATERIAL: CP WIRE				UL REC. UL 94V-0 PIN TENSION LOAD: 1.0KG MIN			
DATE: 2018.12.08 DRAWING NO. ZX-C066				REV. A01			



智信电子塑胶有限公司  
 ZHI XIN ELECTRONICS PLASTIC CO., LTD.  
 TEL:0769-86389901-2 FAX:0769-86389903

