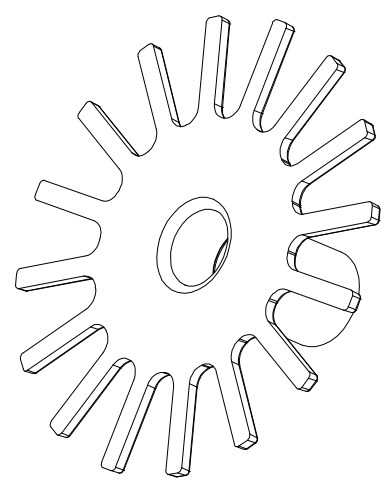
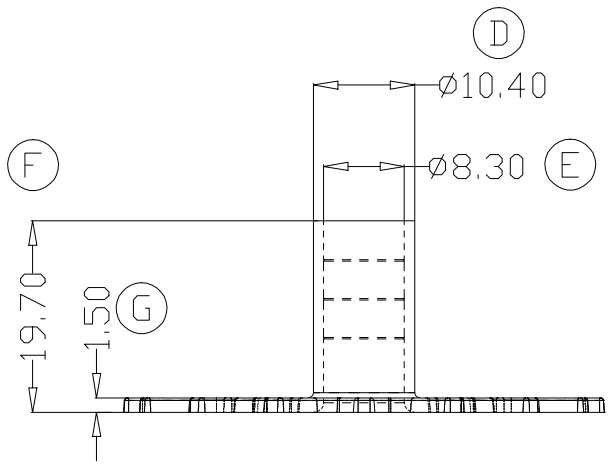
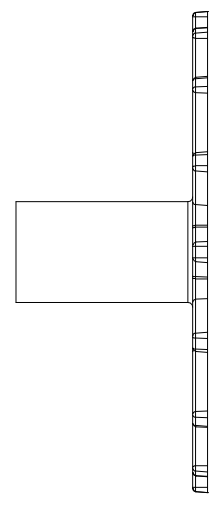
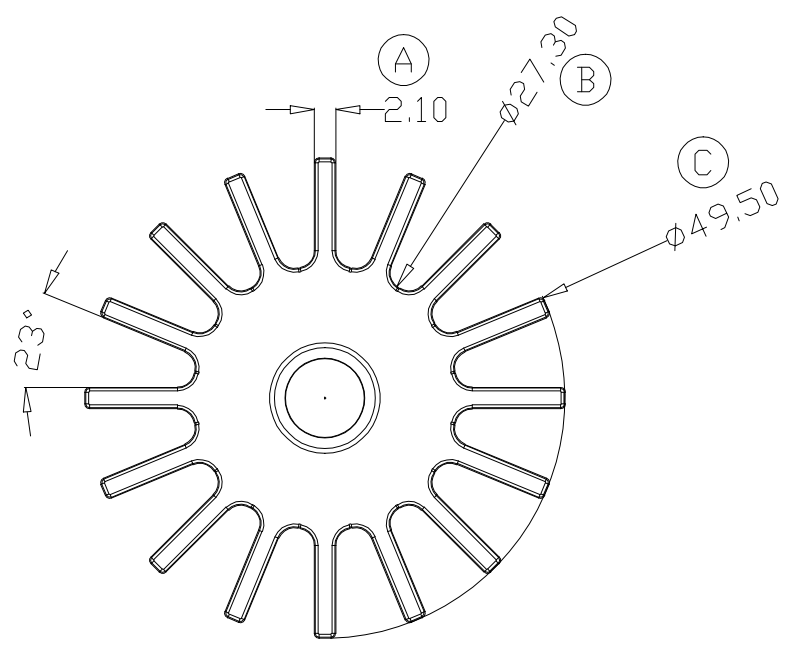


# ZX-C063



REV.	REVISIONS	REC.	DATE	REV.	REVISIONS	REC.	DATE
1				4			
2				5			
3				6			
DRAWN & DRAFTED LIU WEI QIANG	TOLERANCES 0<L<4 ±0.1 pin pitch 4<L<16 ±0.2 16<L<63 ±0.3 ±0.2		ANGLE: ±1° UNIT: MM	TITLE: CASE BOBBIN MATERIAL: PA66		UL REC. UL 94V-0	
CHECKED & APPROVED BY MA BU JIAN	智信电子塑胶有限公司 ZHI XIN ELECTRONICS PLASTIC CO., LTD. TEL: 0769-86389901-2 FAX: 0769-86389903		SCALE:	PIN MATERIAL:		PIN TENSION LOAD:	
				DATE: 2015. 02. 11	DRAWING NO. ZX-C063	REV. A01	