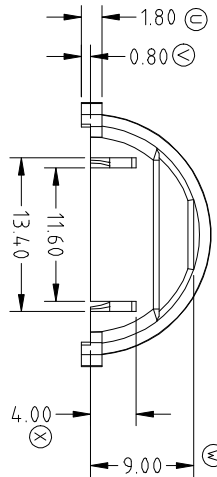
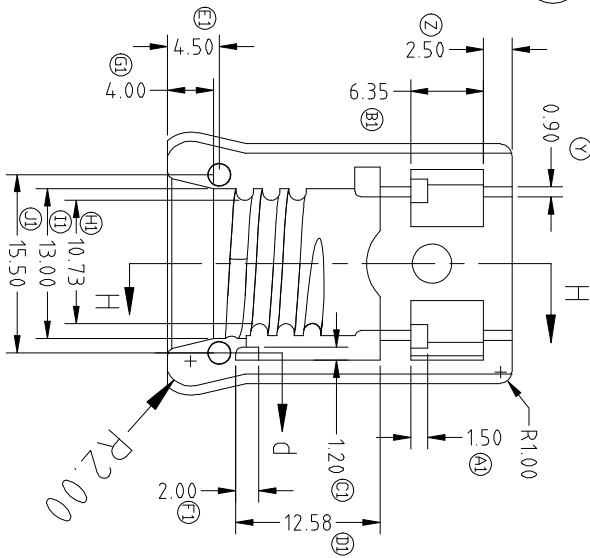
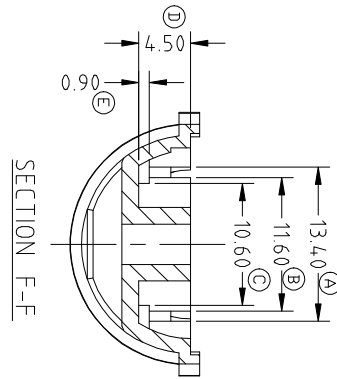
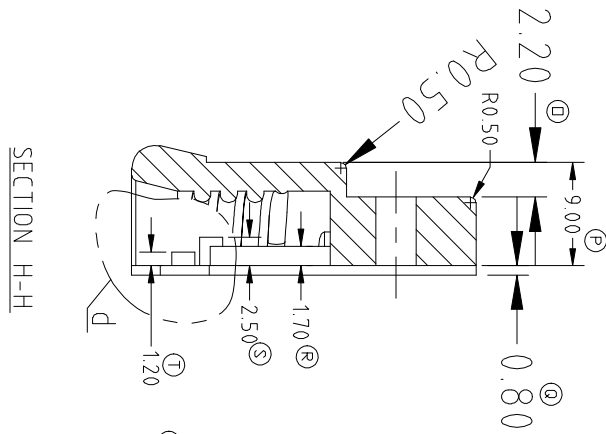
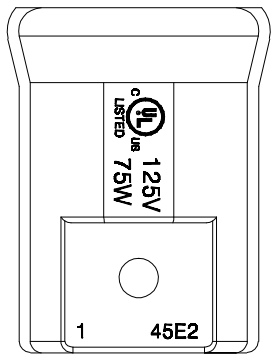
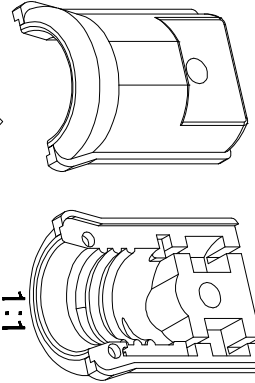
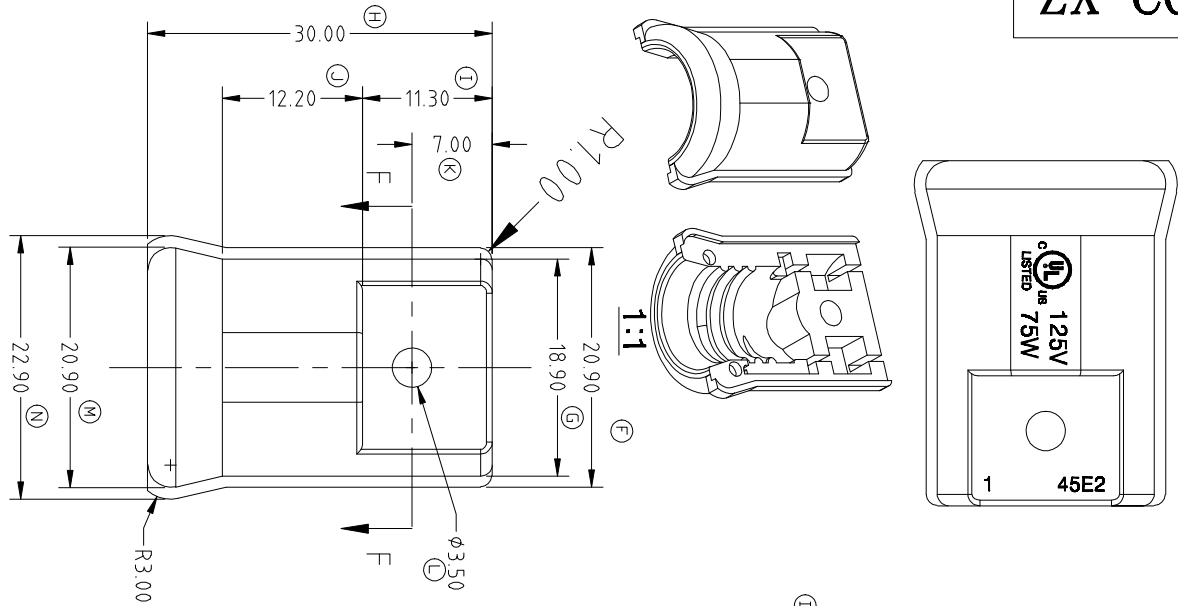


ZX-C062



REV.	REVISIONS REC.	DATE	REV.	REVISIONS REC.	DATE
1	尺寸以之前的3.0变更为2.2		4		
2			5		
3			6		
DRAWN & DRAFTED BY LIU WEI QIANG		TOLERANCES		ANGLE: ±1°	
CHECKED & APPROVED BY MA BU JIAN		0<L≤4 ±0.1	pin pitch ±0.2	TITLE: CASE	
		4<L≤16 ±0.2		BOBBIN MATERIAL: 电木(黑色)	
		16<L≤63 ±0.3		UL REC. UL 94V-0	
ZXE 智信电子塑胶有限公司		SCALE: MM		PIN MATERIAL:	
ZHI XIN ELECTRONICS PLASTIC CO., LTD.				PIN TENSION LOAD:	
TEL:0769-86389901-2				DATE: 2013.05.25	
FAX:0769-86389903				DRAWING NO. ZX-C062	
				REV. A01	