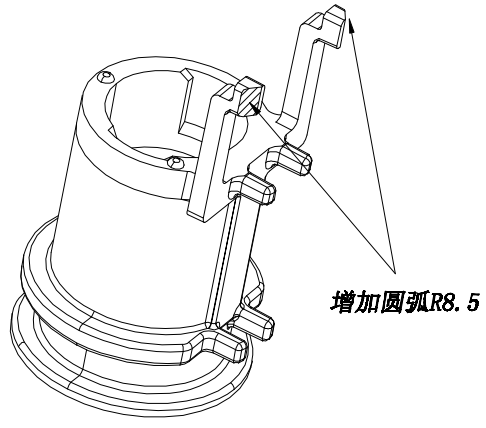
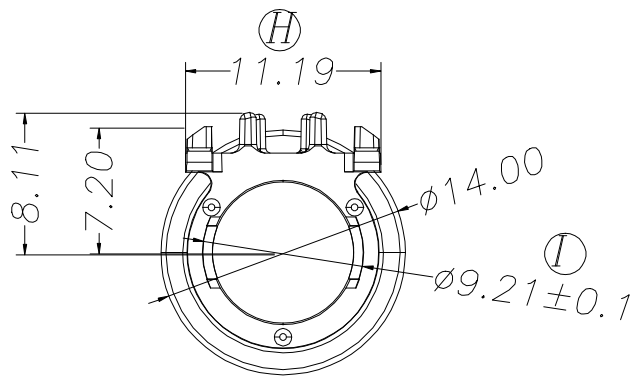
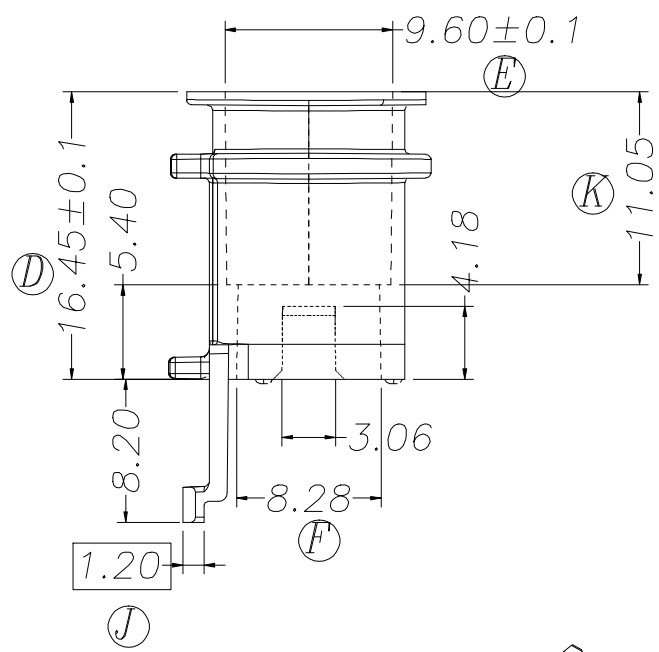
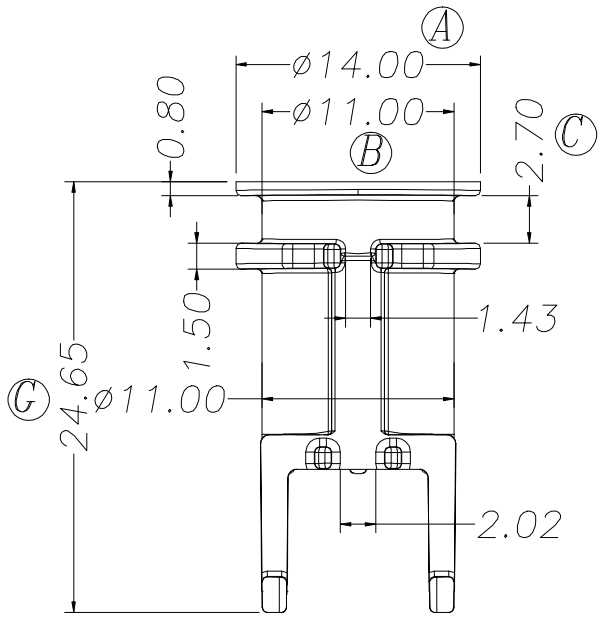
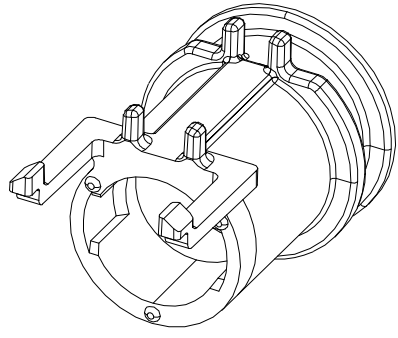
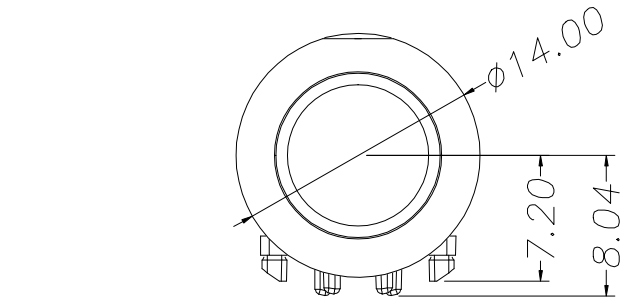


ZX-C047



REV.	REVISIONS REC.	DATE	REV.	REVISIONS REC.	DATE
1	加三个突点, K尺寸由11.25改为11.05	18/06/08	4		
2	增加圆弧, J尺寸由0.8加胶至1.2	18/07/19	5		
3			6		

DRAWN & DRAFTED BY LIU WEI QIANG	TOLERANCES		ANGLE: ±1°	TITLE: CASE	
	0<L≤4 ±0.1	pin pitch ±0.2	UNIT: MM	BOBBIN MATERIAL: PLASTIC	UL REC. UL 94V-0
CHECKED & APPROVED BY LI QI YI	4<L≤16 ±0.2		SCALE:	PIN MATERIAL:	PIN TENSION LOAD:
智信电子塑胶有限公司 ZHI XIN ELECTRONICS PLASTIC CO., LTD. TEL:0769-86389901-2 FAX:0769-86389903				DATE: 2018.07.19	DRAWING NO. ZX-C047
				REV. A02	