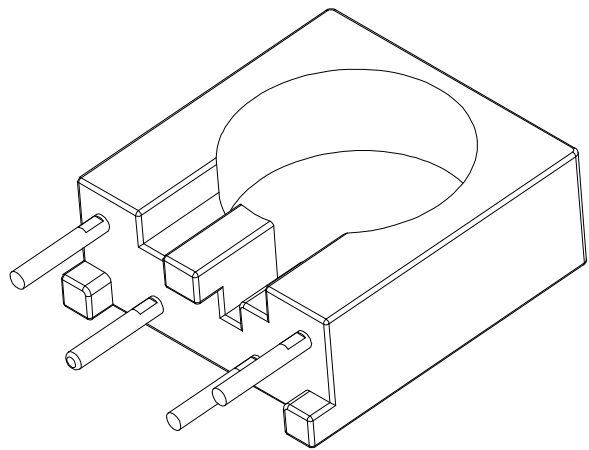
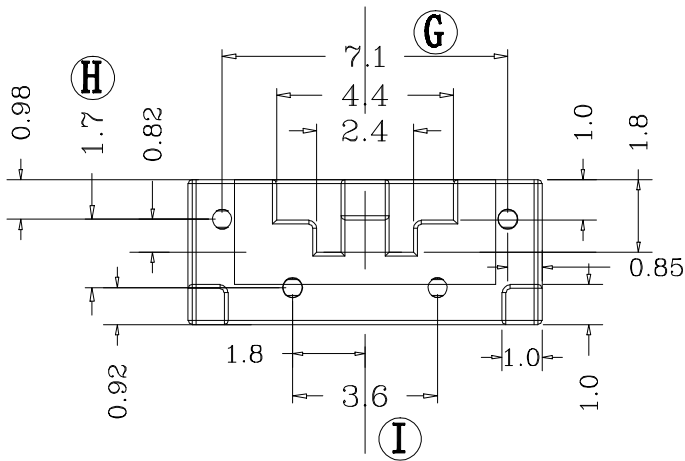
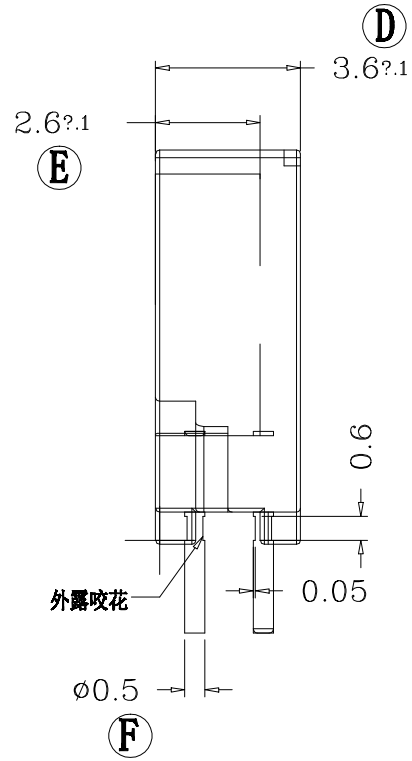
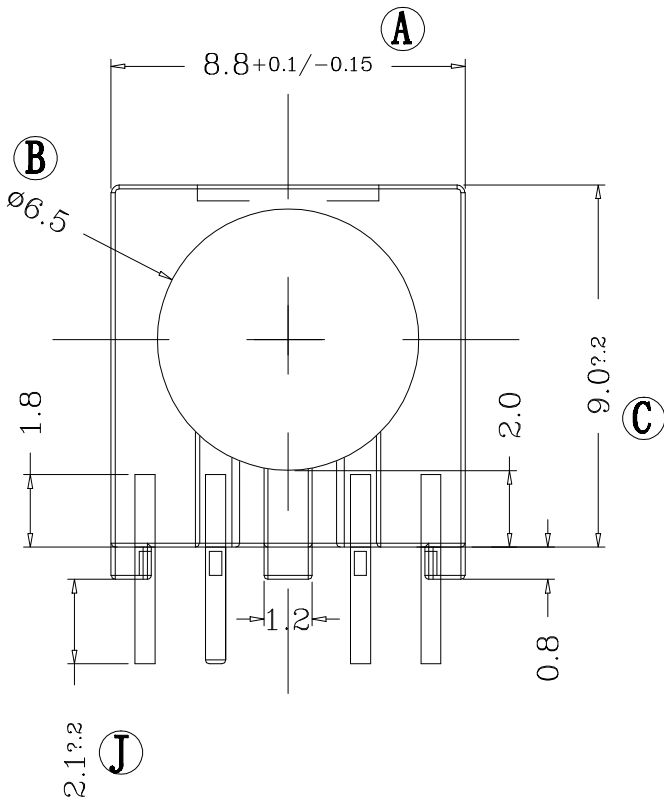


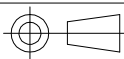
# ZX-C045



REV.	REVISIONS	REC.	DATE	REV.	REVISIONS	REC.	DATE
1				4			
2				5			
3				6			
DRAWN & DRAFTED BY		LIU WEI QIANG		TOLERANCES		ANGLE: ±1°	
CHECKED & APPROVED BY		CHEN LING		0<L<4 ±0.1 pin pitch		TITLE: CASE (4P)	
				4<L<16 ±0.2		BOBBIN MATERIAL: PHENOLIC	
				16<L<63 ±0.3 ±0.2		UL REC. UL 94V-0	
				UNIT: MM		PIN MATERIAL: CP WIRE	
				SCALE:		PIN TENSION LOAD: 0.7KG MIN	
				DATE: 2017.08.17		DRAWING NO. ZX-C045	
						REV. A01	



智信电子塑胶有限公司  
ZHI XIN ELECTRONICS PLASTIC CO., LTD.  
TEL: 0769-86389901-2 FAX: 0769-86389903



DATE: 2017.08.17

DRAWING NO.

ZX-C045

REV. A01