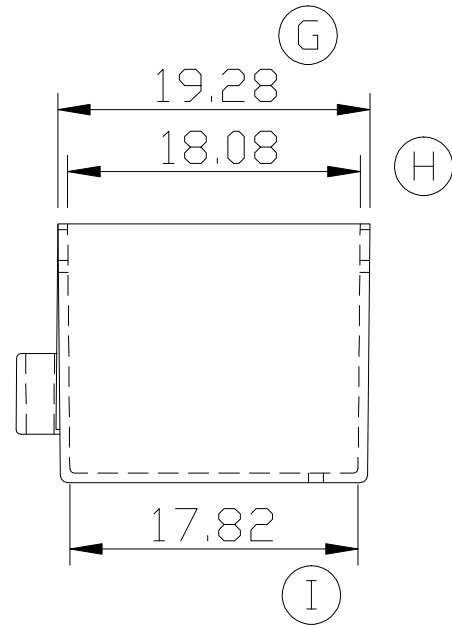
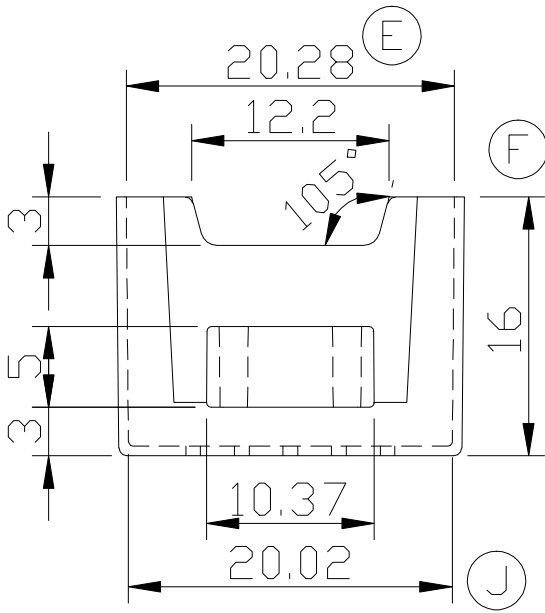
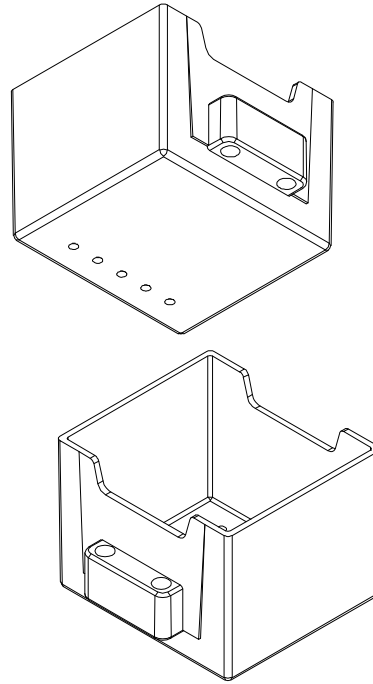
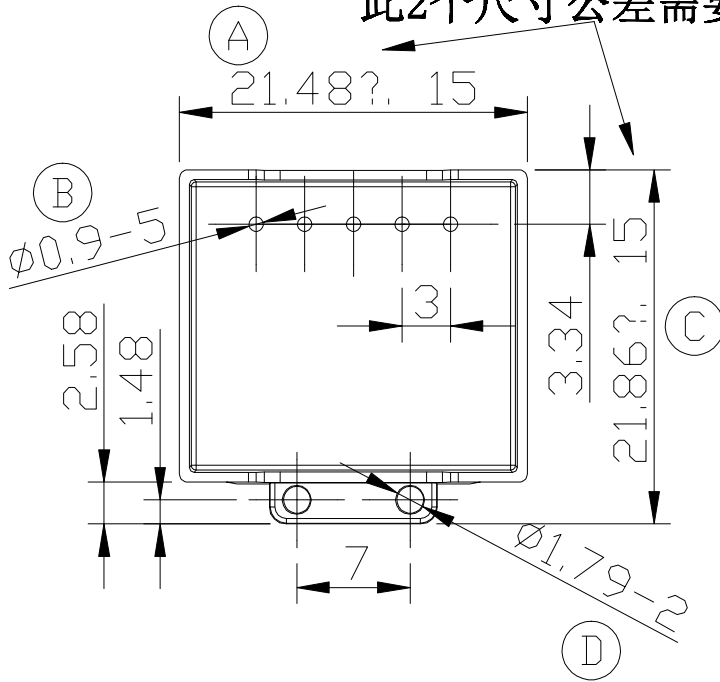


ZX-C041

此2个尺寸公差需要±0.15请确认



REV.	REVISIONS REC.	DATE	REV.	REVISIONS REC.	DATE
1			4		
2			5		
3			6		
DRAWN & DRAFTED BY LIU WEI QIANG		TOLERANCES		TITLE: CASE	
CHECKED & APPROVED BY MA BU JIAN		0<L<4 ±0.1 pin pitch	ANGLE: ±1°	BOBBIN MATERIAL: FR530 黑色	
		4<L<16 ±0.2 ±0.2	UNIT: MM	UL REC. UL 94V-0	
		16<L<63 ±0.3	SCALE:	PIN MATERIAL:	
智信电子塑胶有限公司		DATE: 2016.03.10		DRAWING NO. ZX-C041	
ZHI XIN ELECTRONICS PLASTIC CO., LTD.		2016.03.10		REV. A01	
TEL:0769-86389901-2 FAX:0769-86389903					