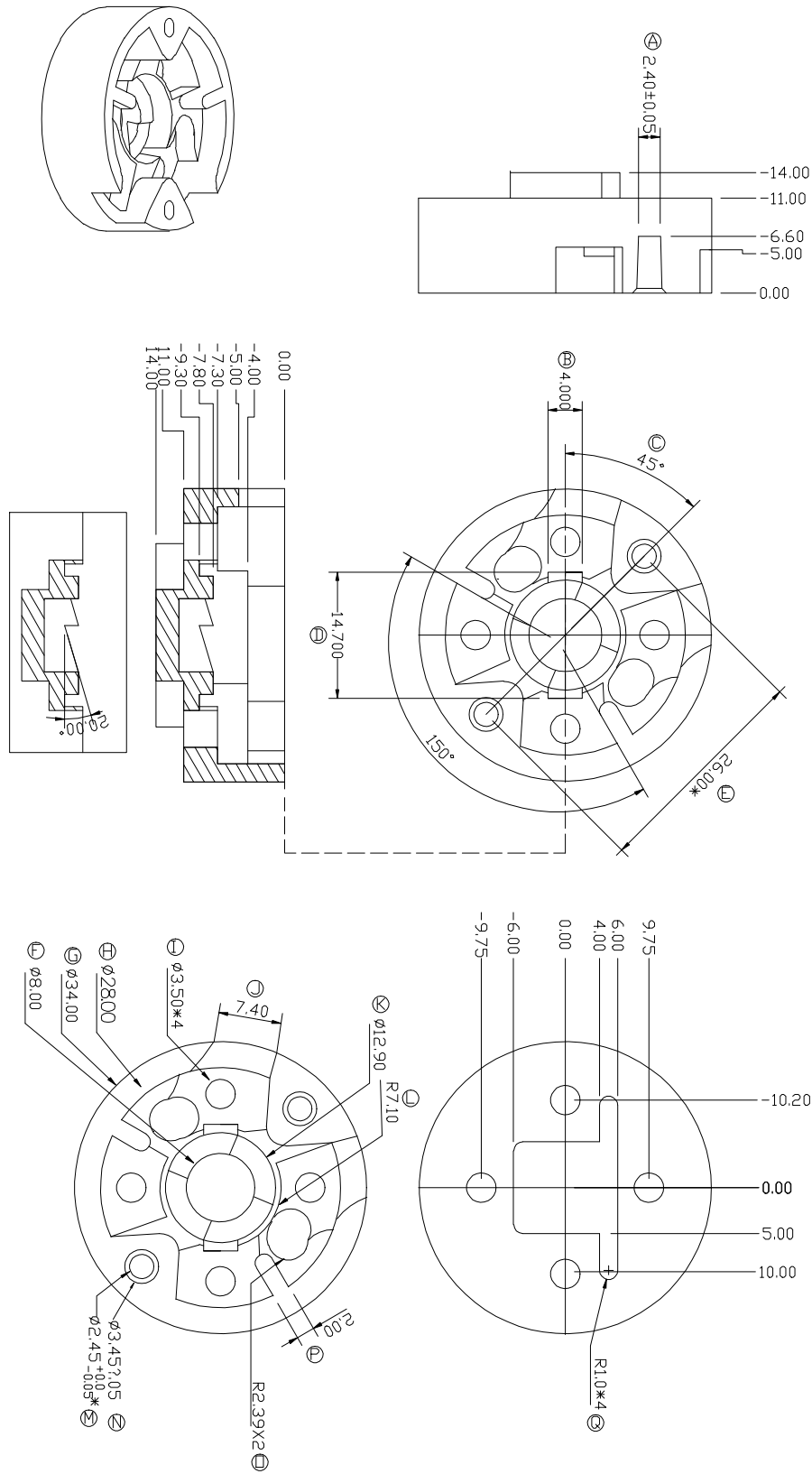


ZX-C040



REV.	REVISIONS	REC.	DATE	REV.	REVISIONS	REC.	DATE
1				4			
2				5			
3				6			
DRAWN & DRAFTED BY		LIU WEI QIANG		TITLE:		CASE	
CHECKED & APPROVED BY		MA BU JIAN		UNIT:		MM	
		TOLERANCES 0<L≤4 ±0.1 L4<≤16 ±0.2 L16≤63 ±0.3 pin pitch ±0.2		ANGLE:		±1°	
				BOBBIN MATERIAL:		PHENOLIC	
				PIN MATERIAL:		UL REC. UL 94V-0	
				SCALE:		PIN TENSION LOAD:	
智信电子塑胶有限公司 ZHI XIN ELECTRONICS PLASTIC CO., LTD. TEL:0769-86389901-2 FAX:0769-86389903		DATE: 2014.12.20		DRAWING NO.		ZX-C040	
						REV. A01	