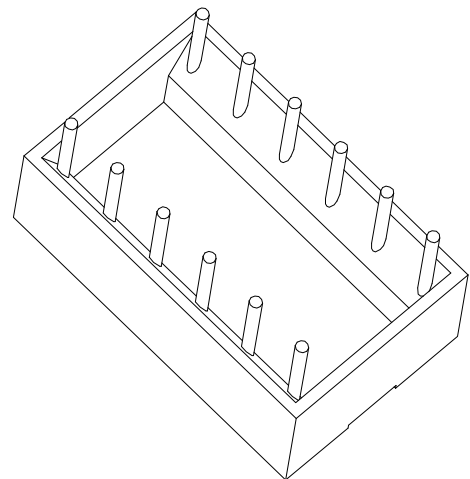
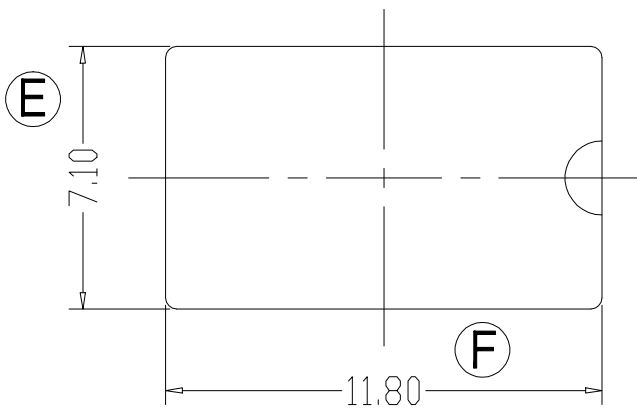
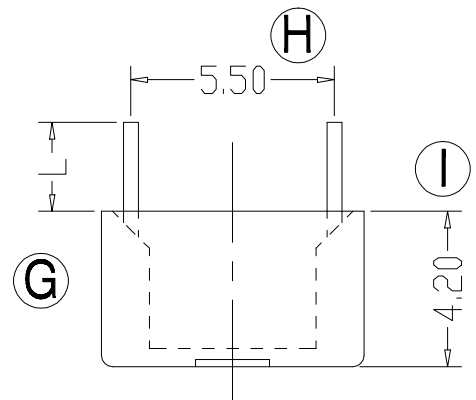
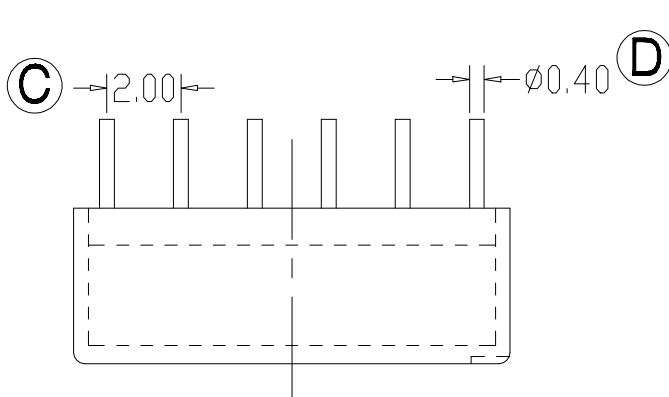
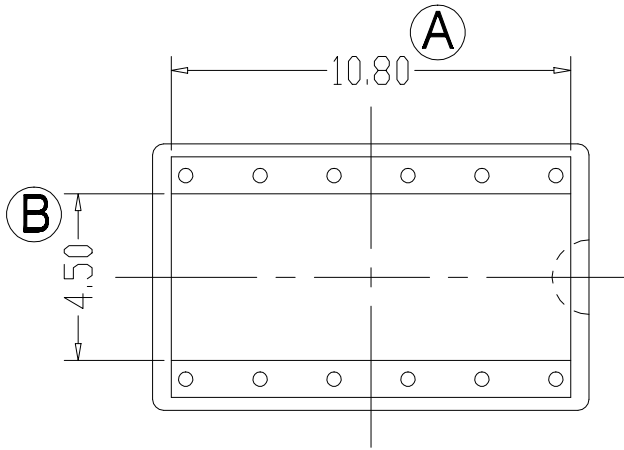


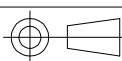
ZX-C011



REV.	REVISIONS REC.	DATE	REV.	REVISIONS REC.	DATE
1			4		
2			5		
3			6		
DRAWN & DRAFTED BY	LIU WEI QIANG	TOLERANCES		ANGLE:	TITLE:
CHECKED & APPROVED BY	LI JUN	0<L4 ±0.1	pin pitch	±1°	CASE (6+6P)
		4<L16 ±0.2		UNIT:	BOBBIN MATERIAL: PHENOLIC
		16<L63 ±0.3	±0.2	MM	UL REC. UL 94V-0
				SCALE:	PIN MATERIAL: CP WIRE
					PIN TENSION LOAD: 0.7KG MIN
				DATE:	DRAWING NO.
				2011.07.02	ZX-C011
					REV. A01



智信电子塑胶有限公司
 ZHI XIN ELECTRONICS PLASTIC CO., LTD.
 TEL:0769-86389901-2 FAX:0769-86389903



DATE: 2011.07.02

DRAWING NO. ZX-C011

REV. A01