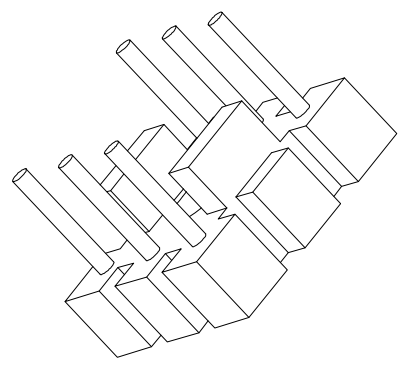
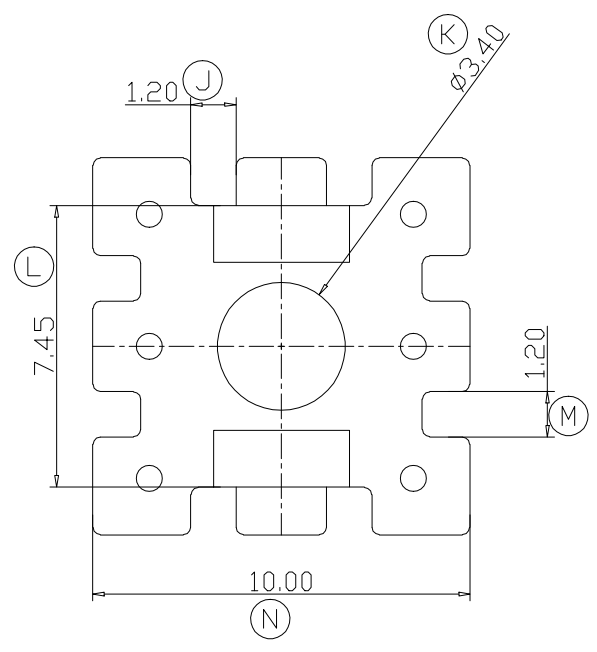
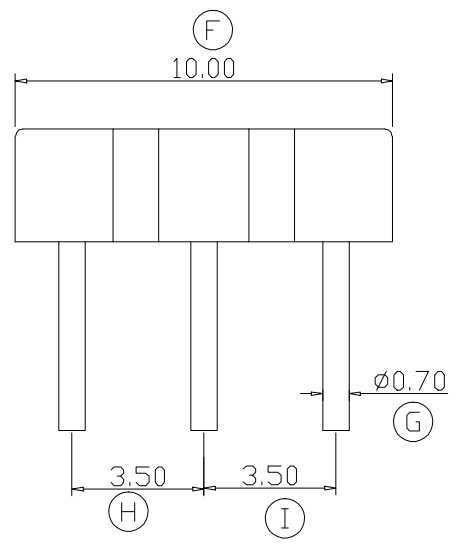
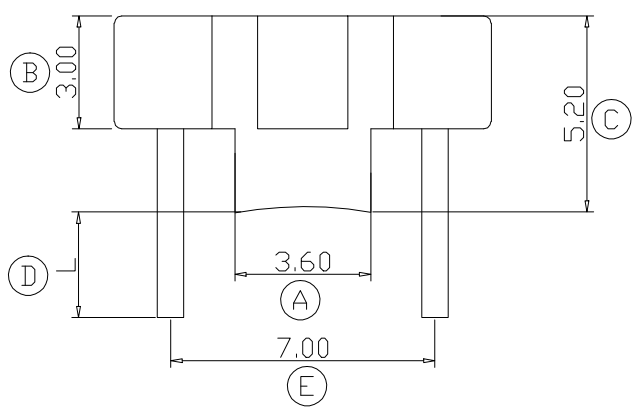


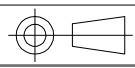
ZX-B023



REV.	REVISIONS REC.		DATE	REV.	REVISIONS REC.		DATE		
1				4					
2				5					
3				6					
DRAWN & DRAFTED BY		LIU WEI QIANG		TOLERANCES		ANGLE: ±1°		TITLE: BASE(3+3P)	
CHECKED & APPROVED BY		MA BU JIAN		0<L≤4 ±0.1 4<L≤16 ±0.2 16<L≤63 ±0.3		pin pitch ±0.2		BOBBIN MATERIAL: PHENOLIC	
						UNIT: MM		UL REC. UL 94V-0	
						SCALE:		PIN MATERIAL: CP WIRE	
						DATE: 2011.02.29		DRAWING NO. ZX-B023	
								PIN TENSION LOAD: 1.0KG MIN	
								REV. A01	



智信电子塑胶有限公司
 ZHI XIN ELECTRONICS PLASTIC CO., LTD.
 TEL:0769-86389901-2 FAX:0769-86389903



DATE: 2011.02.29

DRAWING NO. ZX-B023

REV. A01