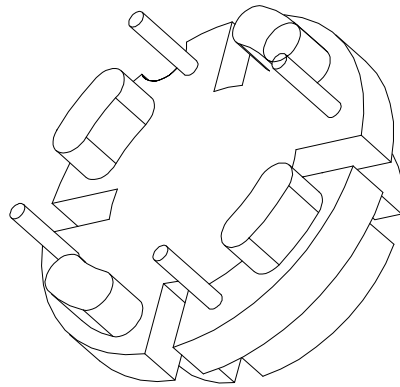
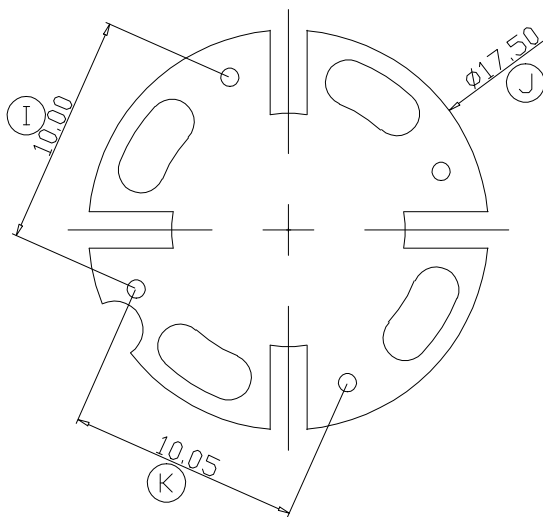
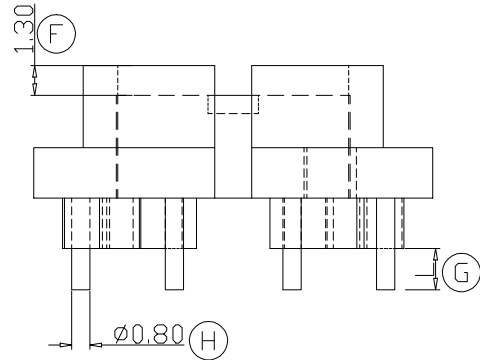
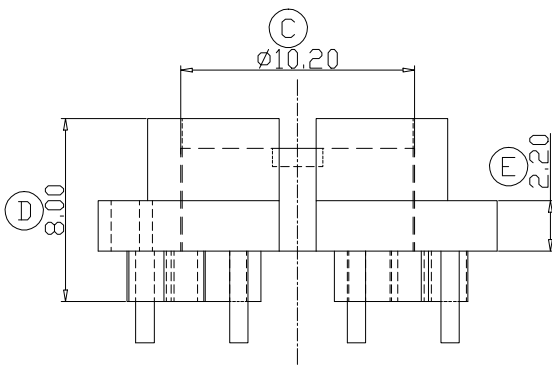
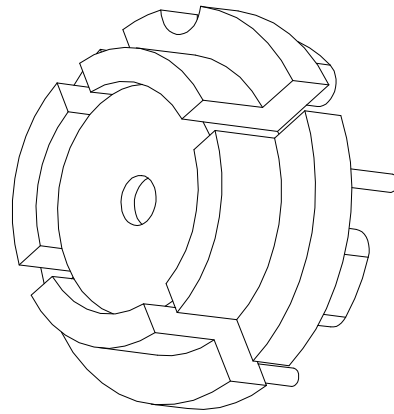
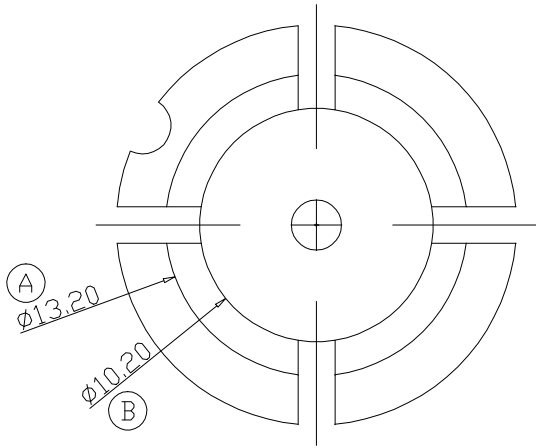


ZX-B020



REV.	REVISIONS	REC.	DATE	REV.	REVISIONS	REC.	DATE
1				4			
2				5			
3				6			
DRAWN & DRAFTED BY		LIU WEI QIANG		TOLERANCES		ANGLE: $\pm 1^\circ$	
CHECKED & APPROVED BY		MA BU JIAN		0<L≤4 ±0.1 4<L≤16 ±0.2 16<L≤63 ±0.3		pin pitch ±0.2	
TITLE: BASE(4P)				UNIT: MM		BOBBIN MATERIAL: PHENOLIC	
SCALE:				PIN MATERIAL: CP WIRE		UL REC. UL 94V-0	
DATE: 2009.09.14				DRAWING NO. ZX-B020		PIN TENSION LOAD: 1.2KG MIN.	
智信电子塑胶有限公司 ZHI XIN ELECTRONICS PLASTIC CO., LTD. TEL:0769-86389901-2 FAX:0769-86389903				DATE: 2009.09.14		REV. A01	