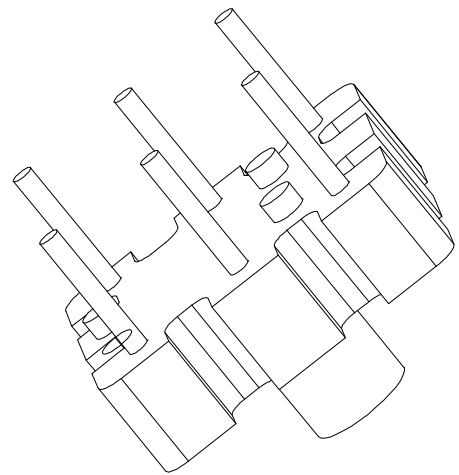
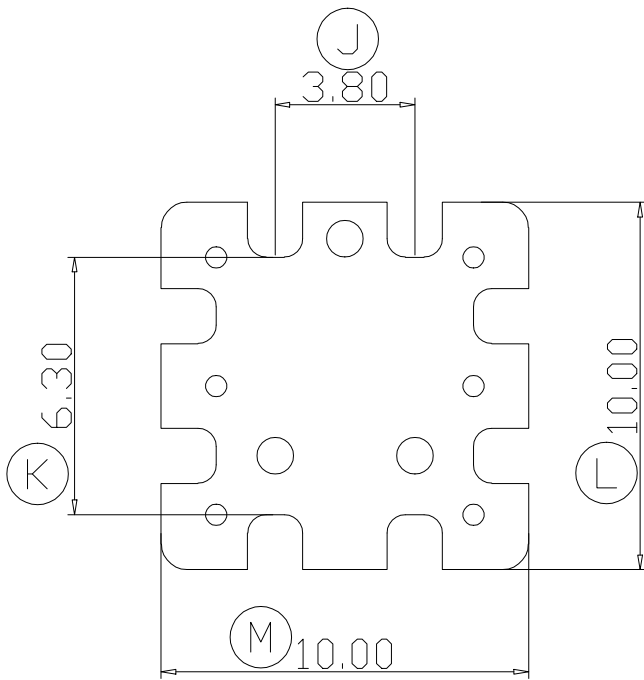
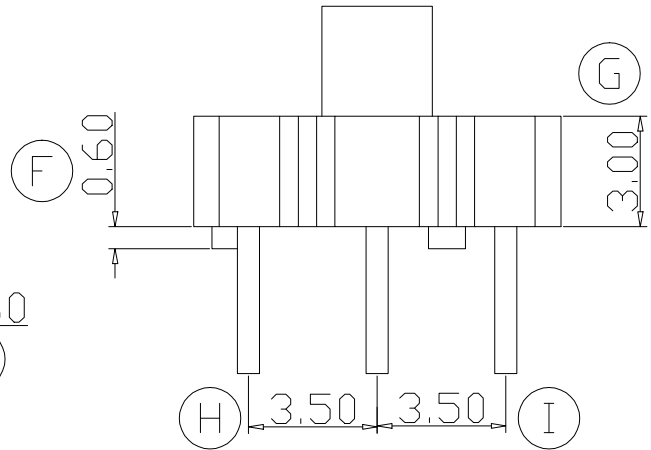
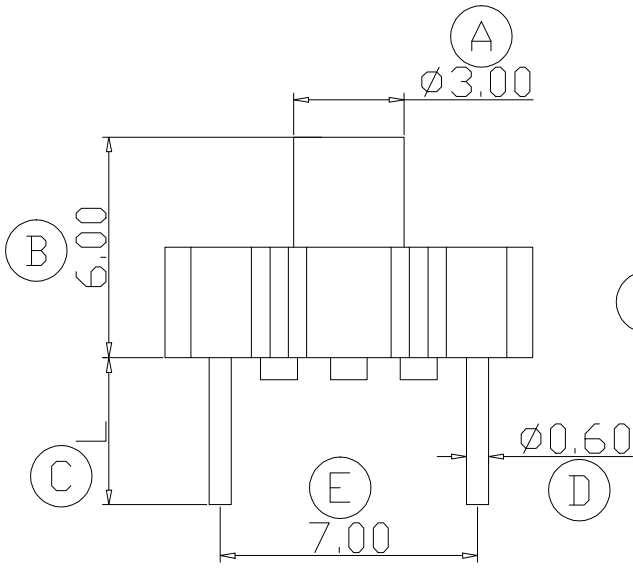


ZX-B009



REV.	REVISIONS REC.		DATE	REV.	REVISIONS REC.		DATE
1				4			
2				5			
3				6			
DRAWN & DRAFTED BY	LIU WEI QIANG	TOLERANCES		ANGLE:	TITLE: BASE(3+3P)		
CHECKED & APPROVED BY	MA BU JIAN	0 <math><L \le 4</math> $\pm 0.1</math>$	pin pitch	$\pm 1^\circ$	BOBBIN MATERIAL:	PHENOLIC	UL REC. UL 94V-0
		4 <math><L \le 16</math> $\pm 0.2</math>$	$\pm 0.2</math>$	UNIT:	MM	PIN MATERIAL:	CP WIRE
		16 <math><L \le 63</math> $\pm 0.3</math>$		SCALE:		PIN TENSION LOAD:	0.8kg MIN.
智信电子塑胶有限公司 ZHI XIN ELECTRONICS PLASTIC CO., LTD. TEL:0769-86389901-2 FAX:0769-86389903				DATE:	2004.09.17	DRAWING NO.	ZX-B009
						REV.	A01