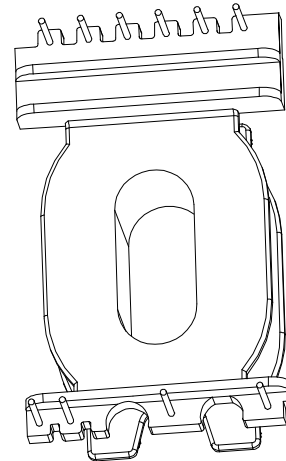
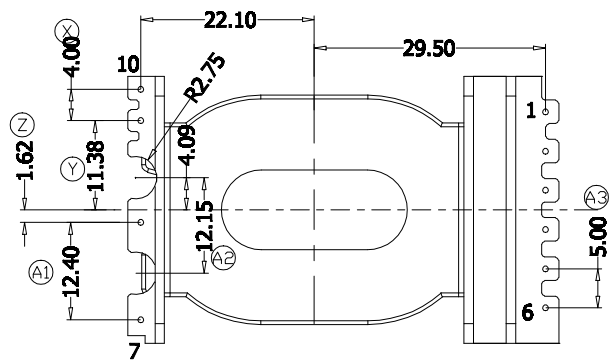
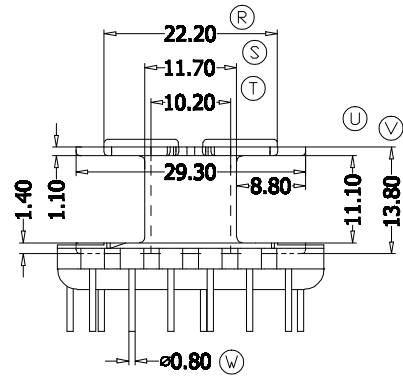
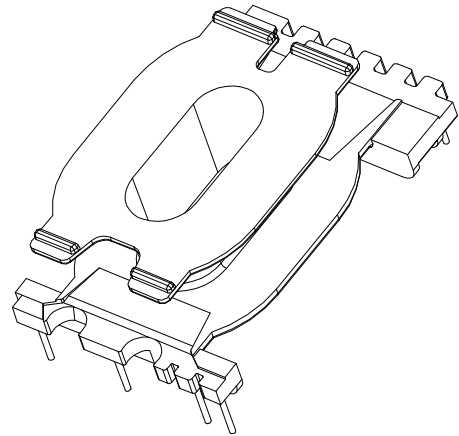
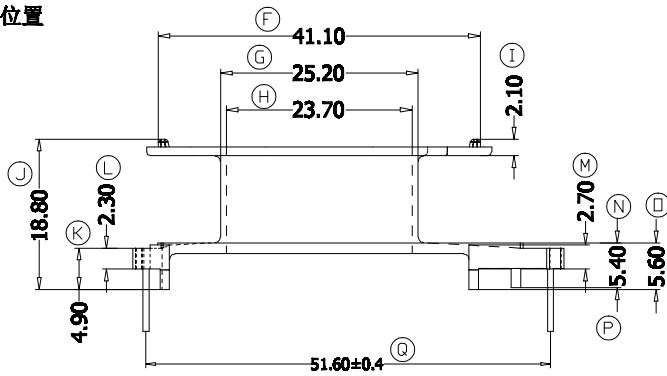


注意L尺寸是
检测此位置



REV.	REVISIONS REC.		DATE	REV.	REVISIONS REC.		DATE
1			2015.06.01	4			
2				5			
3				6			
DRAWN & DRAFTED BY		LIU WEI QIANG		TITLE:		ATQ-34(4+6P)	
CHECKED & APPROVED BY		MA BU JIAN		UNIT:		MM	
		TOLERANCES		ANGLE:		±1°	
		0<L≤4 ±0.1		BOBBIN MATERIAL:		PM-9820	
		4<L≤16 ±0.2		PIN MATERIAL:		CP WIRE	
		16<L≤63 ±0.3		SCALE:		DATE: 2015.06.08	
		pin pitch ±0.2		DRAWING NO.:		ZX-34C	
				REV.:		A02	
				PIN TENSION LOAD:		1.0KG MIN	



智信电子塑胶有限公司

ZHI XIN ELECTRONICS PLASTIC CO., LTD.
TEL:0769-86389901-2 FAX:0769-86389903