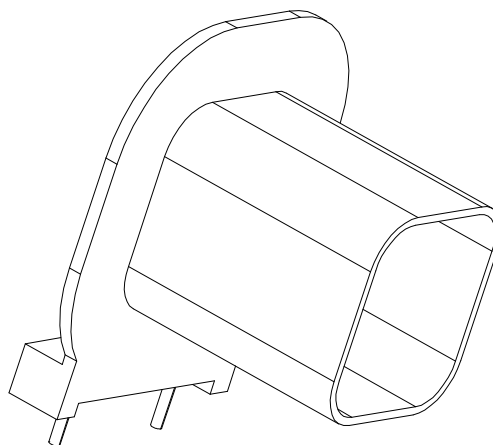
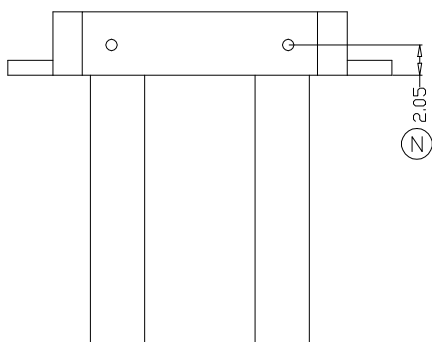
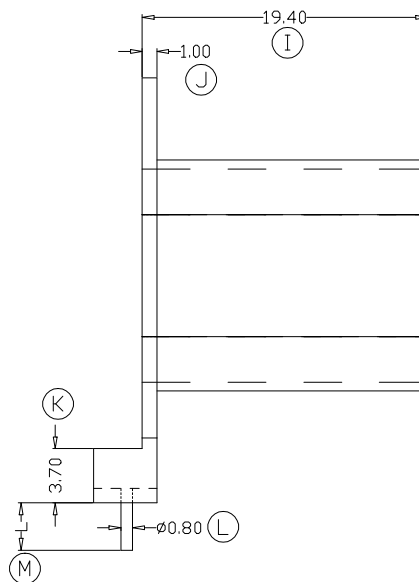
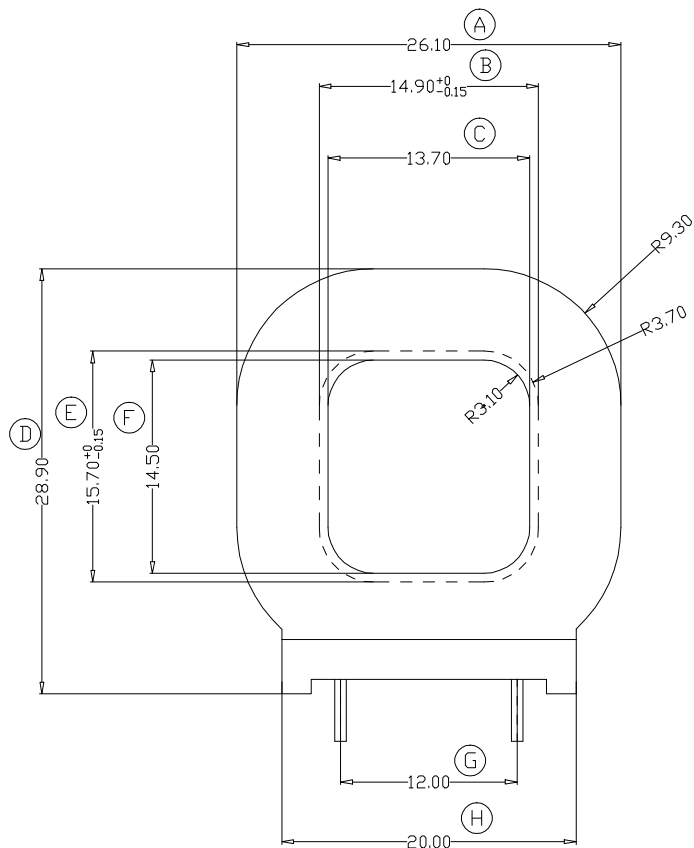


ZX-33T



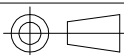
对应的 ZX-33T1 ZX-33T2

REV.	REVISIONS REC.	DATE	REV.	REVISIONS REC.	DATE
1			4		
2			5		
3			6		
DRAWN & DRAFTED BY: LIU WEI QIANG		TOLERANCES		TITLE: ATP-3327 (2P)	
CHECKED & APPROVED BY: MA BU JIAN		0<L<4 ±0.1 pin pitch		ANGLE: ±1°	
		4<L<16 ±0.2		UNIT: MM	
		16<L<63 ±0.3 ±0.2		BOBBIN MATERIAL: PM-9820	
		SCALE:		UL REC. UL 94V-0	
		DATE: 2015. 11. 07		PIN TENSION LOAD: 1. 2KG MIN	
		DRAWING NO. ZX-33T		REV. A01	



智信电子塑胶有限公司

ZHI XIN ELECTRONICS PLASTIC CO., LTD.
TEL: 0769-86389901-2 FAX: 0769-86389903



DATE:

2015. 11. 07

DRAWING NO.

ZX-33T

REV.

A01