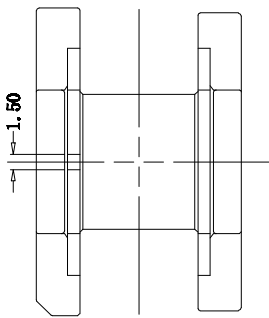
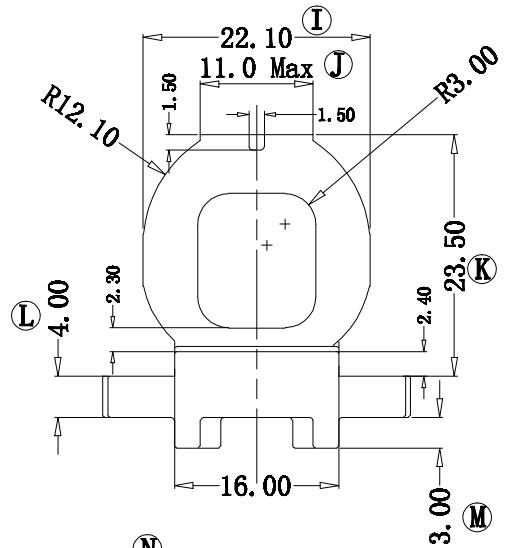
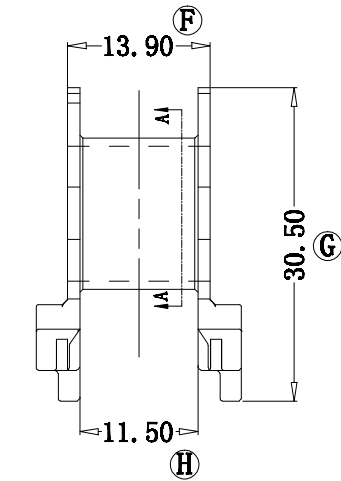
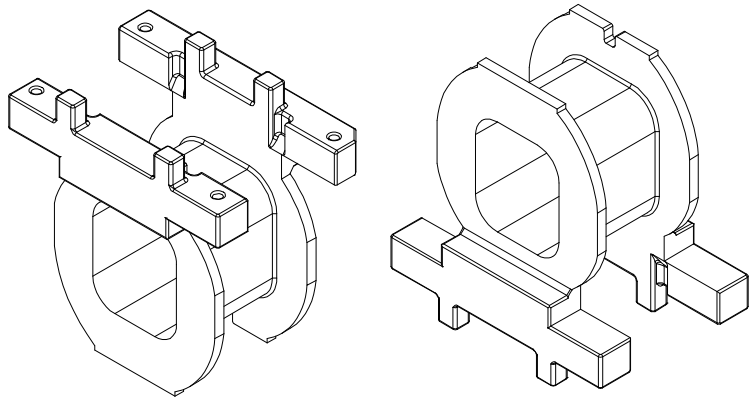
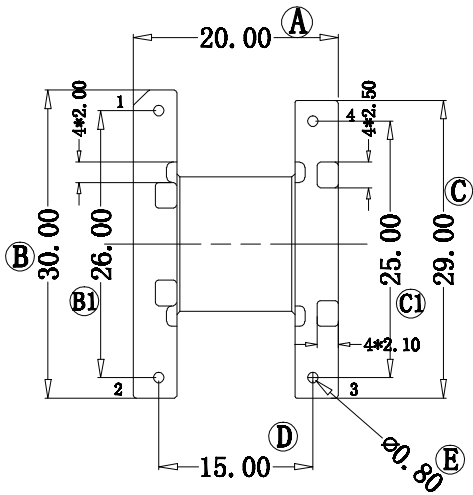


ZX-260



SECTION A-A

REV.	REVISIONS	REC.	DATE	REV.	REVISIONS	REC.	DATE
1				4			
2				5			
3				6			
DRAWN & DRAFTED BY	TOLERANCES		ANGLE: $\pm 1^\circ$	TITLE: ATQ-26			
CHECKED & APPROVED BY	CHEN LING	$0 < K < 4 \pm 0.1$ pin pitch $4 < K < 16 \pm 0.2$ $16 < K < 63 \pm 0.3$	UNIT: MM	BOBBIN MATERIAL: PHENOLIC	UL REC. UL 94V-0		
智信电子塑胶有限公司			SCALE:	PIN MATERIAL: CP WIRE	PIN TENSION LOAD:		
ZHI XIN ELECTRONICS PLASTIC CO., LTD. TEL: 0769-86389901-2 FAX: 0769-86389903				DATE: 2017.08.25	DRAWING NO. ZX-260	REV. A01	