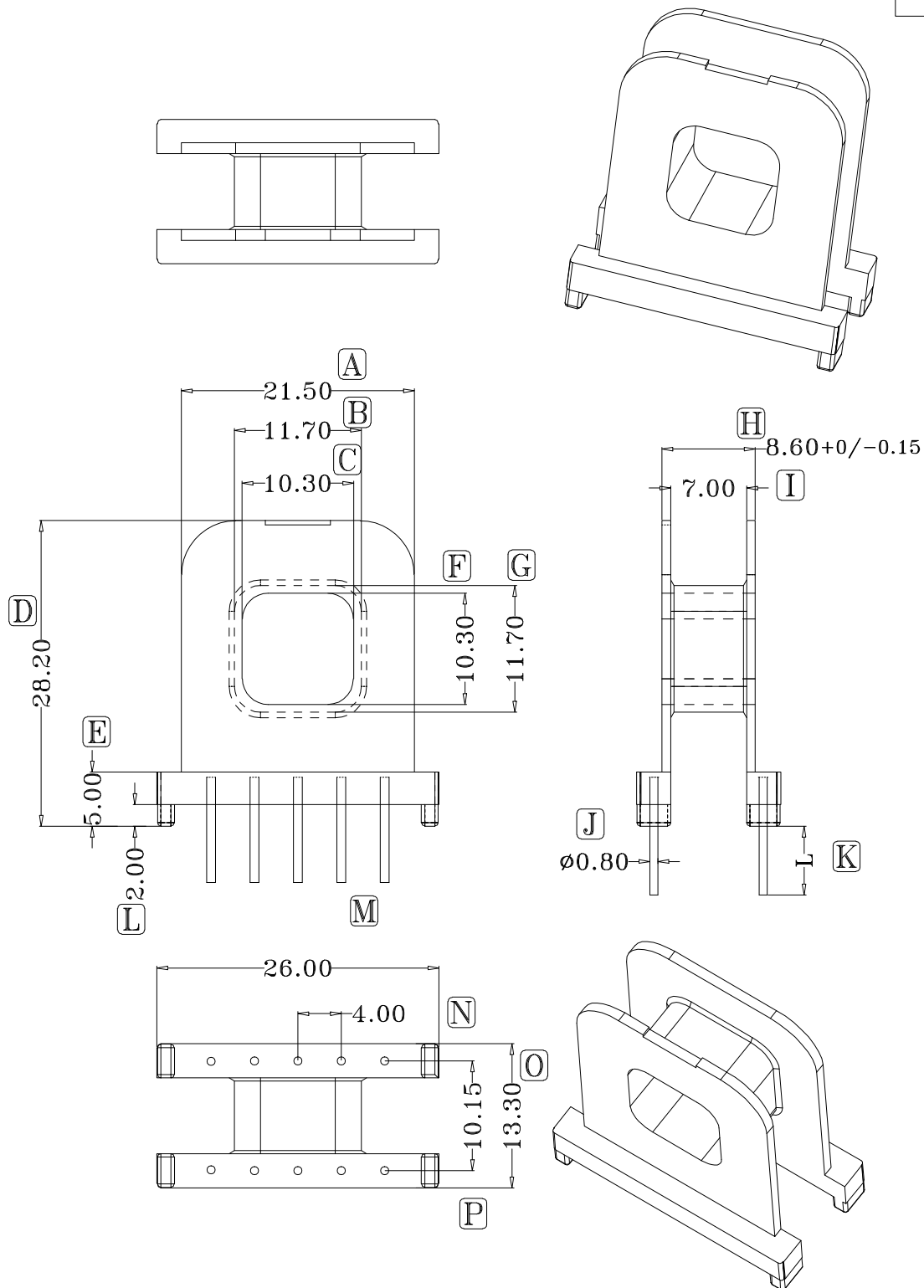


ZX-26N



REV.	REVISIONS REC.	DATE	REV.	REVISIONS REC.	DATE
1	H 尺寸由原来的9.0改成8.6	2017.08.31	4		
2			5		
3			6		
DRAWN & DRAFTED	LIU WEI QIANG	TOLERANCES		ANGLE:	TITLE:
CHECKED & APPROVED BY	MA BU JIAN	0<L<4 ±0.1	pin pitch	±1°	ATQ-26 (5+5P)
		4<L<16 ±0.2		UNIT: MM	BOBBIN MATERIAL: T375HF
		16<L<63 ±0.3	±0.2	SCALE:	PIN MATERIAL: CP WIRE
智信电子塑胶有限公司		ZHI XIN ELECTRONICS PLASTIC CO., LTD.		DATE:	DRAWING NO.
TEL:0769-86389901-2 FAX:0769-86389903				2016.12.08	ZX-26N
					REV. A02